



PS 6100.R1.M Precision Balance

More information on the website
radwag.com/en/info,w1,LNH



Functions



Autotest



Dosing



Percent Weighing



Totalizing



Parts counting



Peak hold



Newton unit measurement



Statistics



Checkweighing



Under-pan weighing



GLP Procedures



Animal weighing



Density determination

Datasheet

Metrological parameters

Maximum capacity [Max]	6100 g
Minimum load	0,5 g
Readability [d]	0,01 g
Tare range	-6100 g
Repeatability (Max)	0,008 g
Repeatability (5% Max)	0,005 g

Metrological parameters	
Linearity	±0,03 g
Stabilization time	1,5 s
Adjustment	external
Sensitivity temperature drift	$2 \times 10^{-6} / ^\circ\text{C} \times \text{Rt}$
Physical parameters	
Display	LCD (backlit)
Weighing pan dimensions	195×195 mm
Device dimensions	333x206x107 mm
Packaging dimensions	470×380×340 mm
Net weight	4,5 kg
Gross weight	6,1 kg
Construction	
Communication interface	
Communication interface	2×RS232, USB-A, USB-B, Wi-Fi (option)
Electrical parameters	
Power supply	100 ÷ 240 V AC 50 / 60 Hz
Environmental conditions	
Operating temperature	+10 ÷ +40 °C
Storage temperature	-20 ÷ +50 °C
Relative humidity	40% ÷ 80%

* Wi-Fi® is a registered trademark of Wi-Fi® Alliance.



Accessories

Balance Storage Case
 Receipt Printer
 Barcode scanners
 Cigarette lighter receptacle power supply cables
 Power Adapters
 USB cable (scale - printer)
 Displays

Density determination kit
 Protective cover for balances
 AP2-1 Current Loop Unit
 RPANEL BOX
 RS 232, RS 485 cables
 Under-Pan Weighing Rack
 RS 232 cables (scale - EPSON printer)

Software

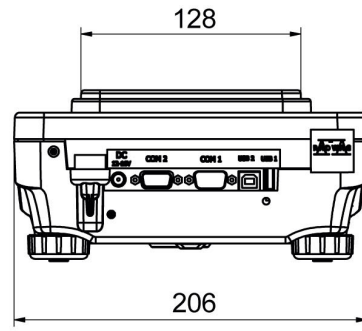
RAD-KEY
 R Panel
 ALIBI Reader
 RADWAG Development Studio
 R.Barcode

LabVIEW Driver
 RADWAG Connect
 R-LAB
 E2R System

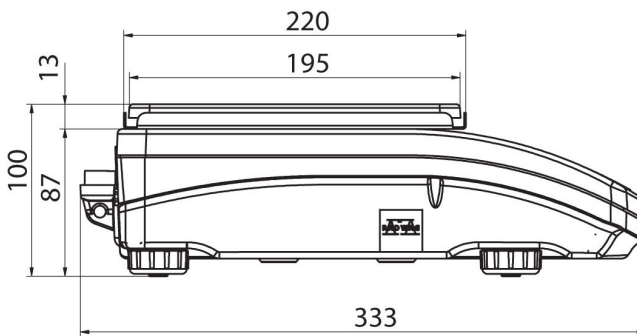
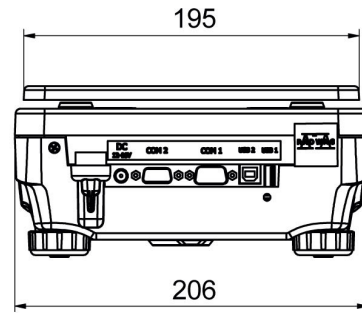
Device dimensions



PS R, d = 1mg



PS R, d = 10 mg



PS R.M, d = 10 mg

