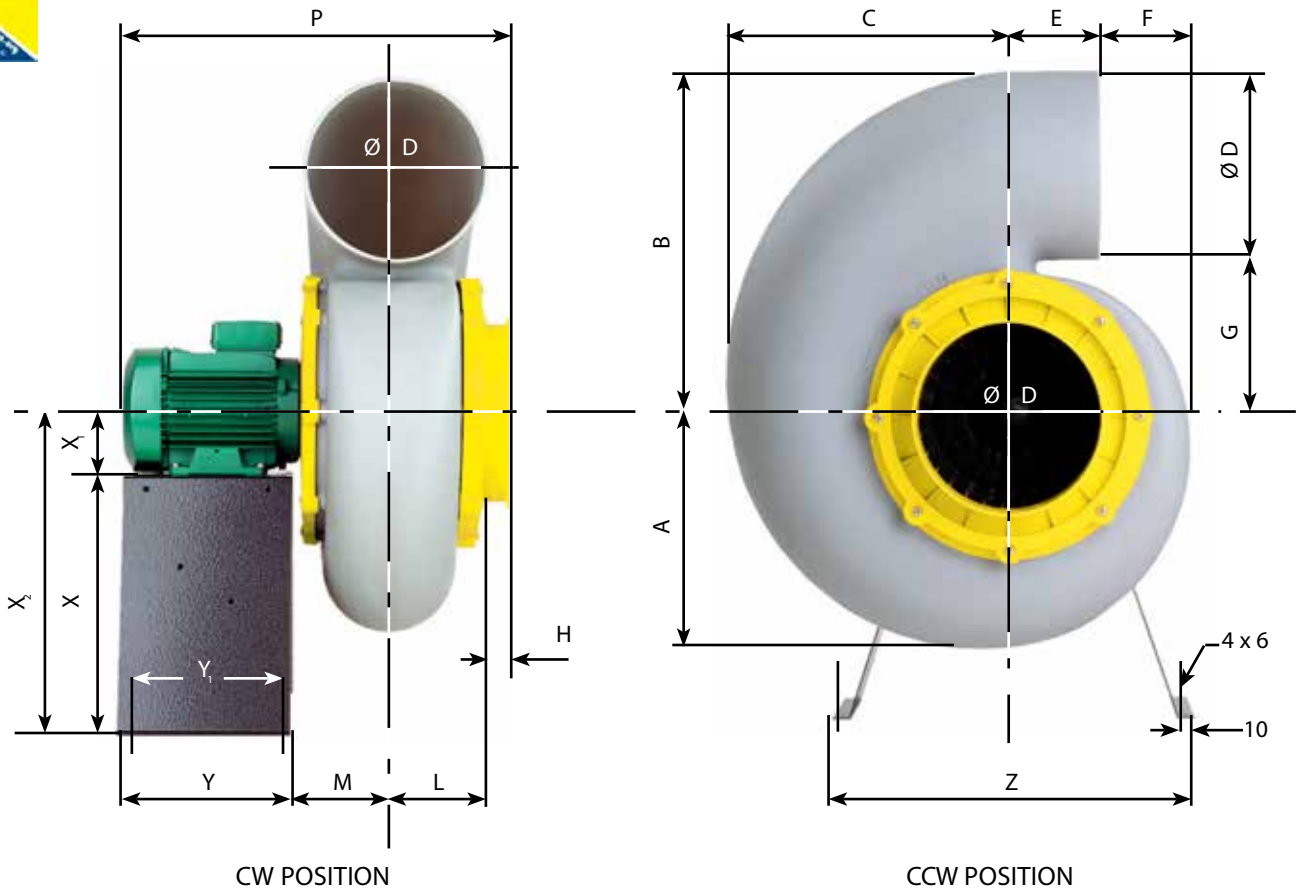




# PLASTEC 20

www.PlastecVentilation.com

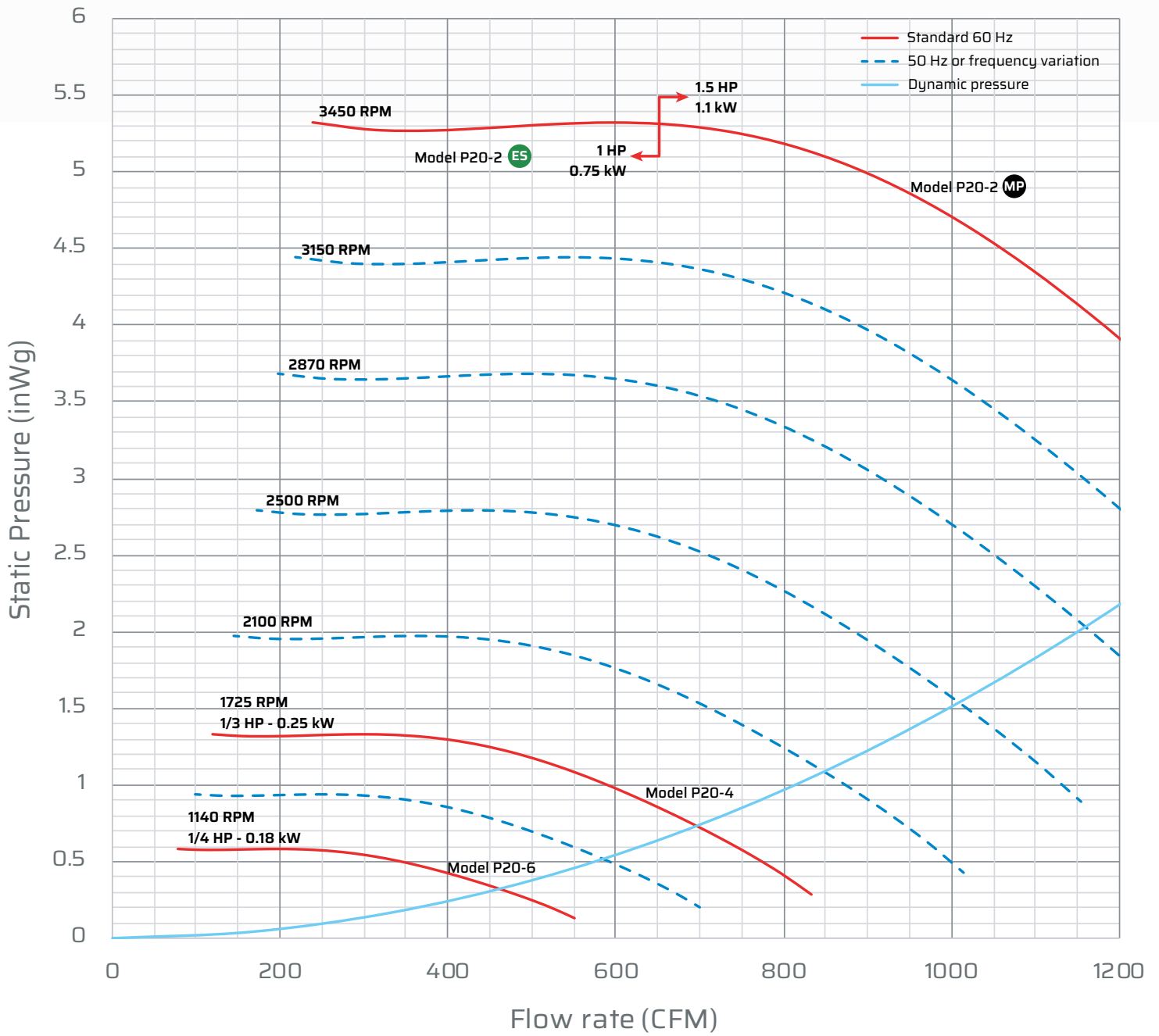


\* Pictures and dimensions non-contractual

Dimensional data																
Metal stand is optional - Motor size may vary upon model																
A	B	C	ØD	E	F	G	H	L	M	P	Y	Y <sub>1</sub>	Z	X	X <sub>1</sub>	X <sub>2</sub>
8.19	11.93	9.45	6.30	3.94	2.24	5.63	1.26	3.31	3.70	15.35	7.09	6.30	13.39	9.45	2.80	12.24

Discharge positions - View from inlet side							
CCW 360	CCW 45	CCW 90	CCW 135	CCW 180	CCW 225	CCW 270	CCW 315
CW 360	CW 45	CW 90	CW 135	CW 180	CW 225	CW 270	CW 315

# PLASTEC 20



**ES** Energy saving model  
**MP** Maximum power model

## Inlet sound

RPM	Q <sub>v</sub> (CFM)	SP (inWg)	L <sub>w</sub> A dB(A)	L <sub>p</sub> A * dB(A)	Octave band (Hz)							
					63	125	250	500	1000	2000	4000	8000
1725	531	1	80	59	97	79	84	77	70	59	56	50
3450	1060	4.2	95	74	112	95	99	92	85	74	71	65

\* Acoustic pressure L<sub>p</sub> at 10 feet - Outlet acoustic data available on request