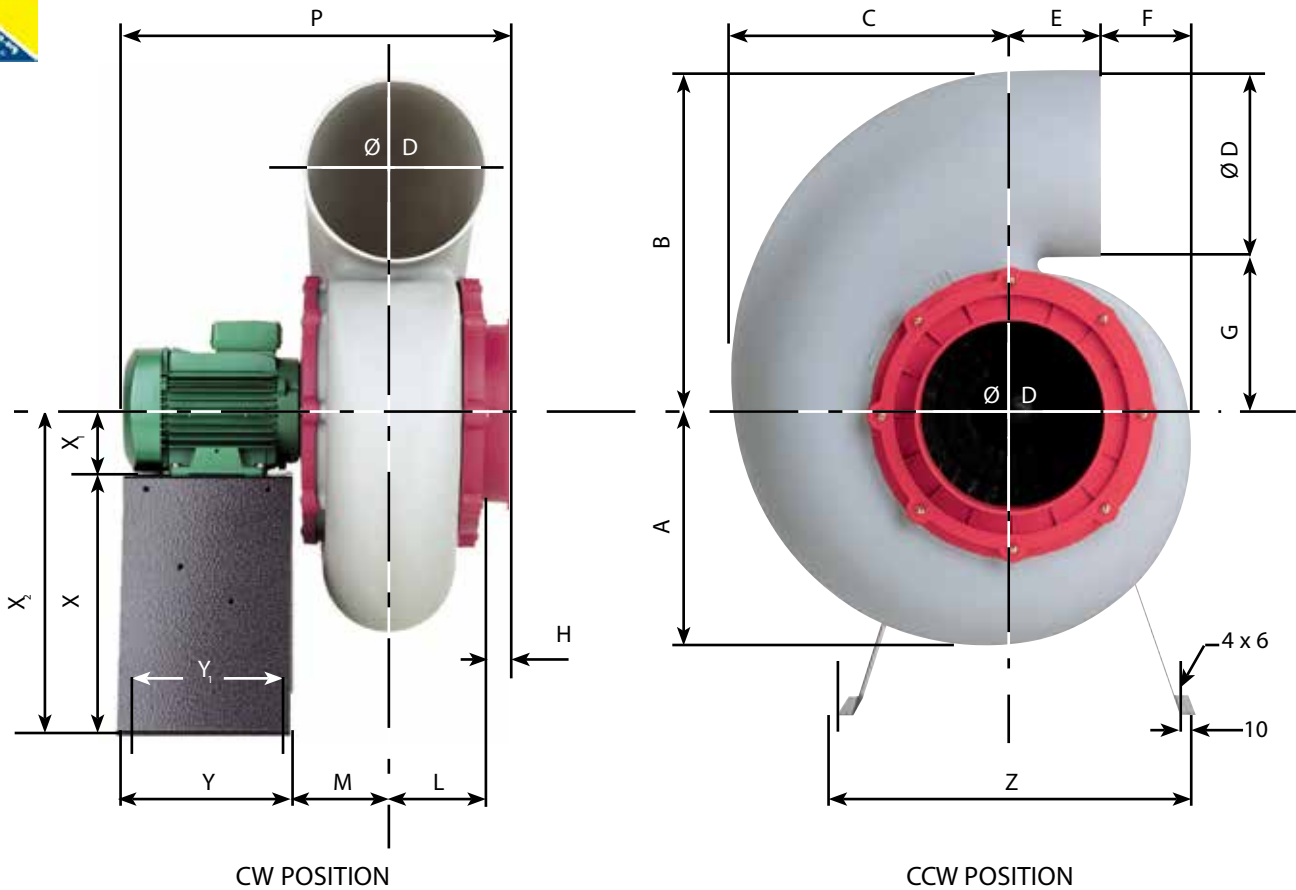




PLASTEC 25

www.PlastecVentilation.com

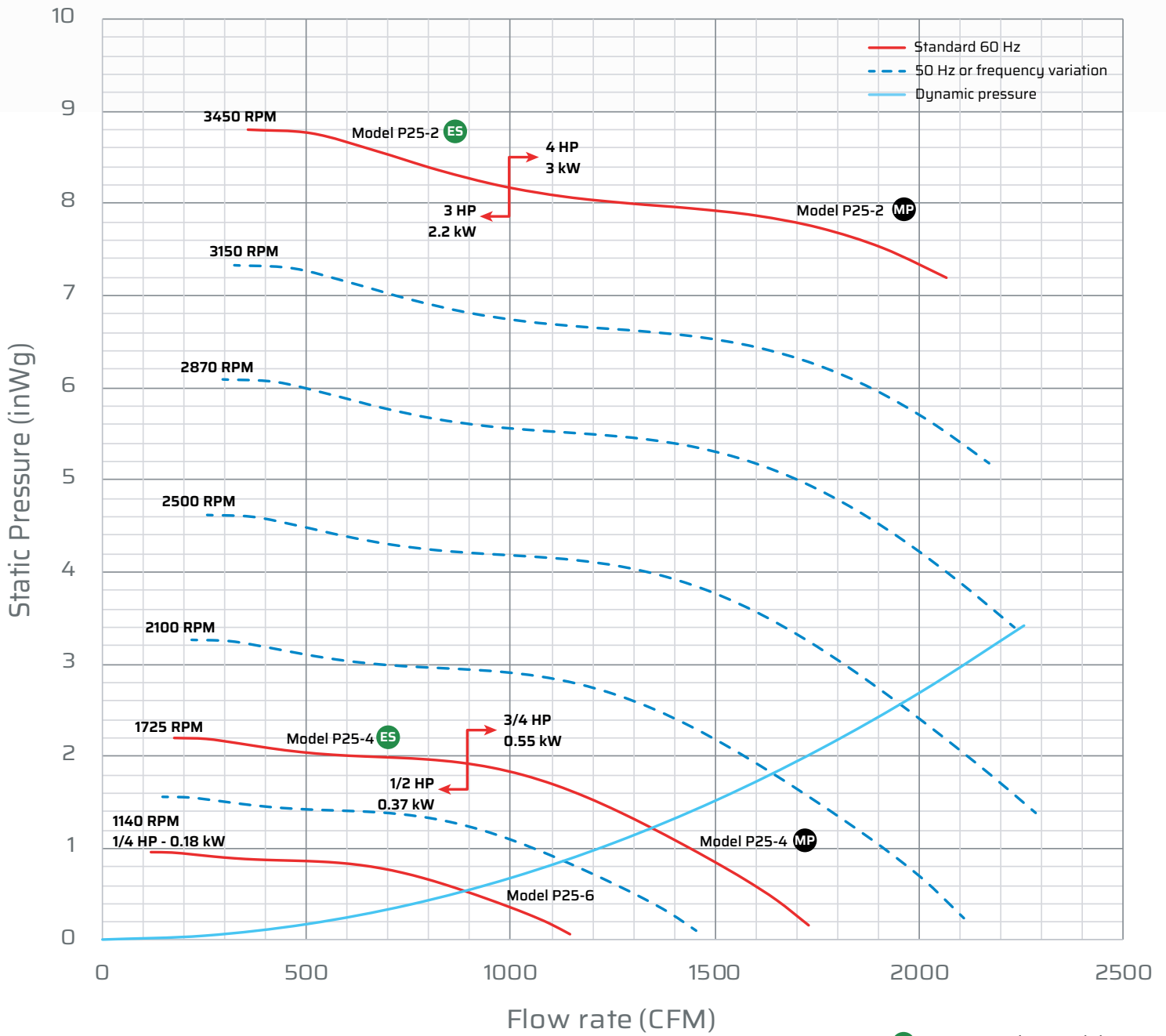


* Pictures and dimensions non-contractual

Dimensional data																
Metal stand is optional - Motor size may vary upon model																
A	B	C	Ø D	E	F	G	H	L	M	P	Y	Y ₁	Z	X	X ₁	X ₂
9.76	14.37	12.20	7.87	4.06	3.62	6.50	1.38	3.74	4.13	20.28	7.09	6.30	16.54	11.81	3.54	15.35

Discharge positions - View from inlet side							
CCW 360	CCW 45	CCW 90	CCW 135	CCW 180	CCW 225	CCW 270	CCW 315
CW 360	CW 45	CW 90	CW 135	CW 180	CW 225	CW 270	CW 315

PLASTEC 25



ES Energy saving model
MP Maximum power model

Inlet sound

RPM	Q _v (CFM)	SP (inWg)	LwA dB(A)	LpA * dB(A)	Octave band (Hz)							
					63	125	250	500	1000	2000	4000	8000
1725	930	1.82	81	61	104	85	85	79	73	65	62	56
3450	1860	7.31	96	76	119	100	100	94	88	80	77	72

* Acoustic pressure Lp at 10 feet - Outlet acoustic data available on request