

SHIMPO'S

TNP Digital Torque Meter

Torque Testing Instrument for Medical, Pharmaceutical and Industrial Quality Control, R&D and countless torque applications

2 YEAR WARRANTY!



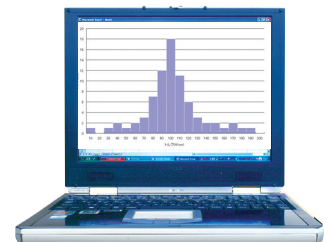
The new Shimpo TNP torque meter is a precision instrument for measuring OPEN and CLOSE torque values for various applications. As a cap torque analyzer, the TNP repeatedly determines bottle closure and breakaway torque. It's wide memory capacity is capable of storing 1,000 data points. In addition to Average, Maximum and Minimum values. A HI-GO-LO comparator feature can be utilized for large batch testing to ensure overall product quality.

The TNP torque meter is USB capable for easy PC/Software interface. Combined with the free "Digitorq" Software, statistical testing and analysis can be performed.

The TNP is a portable device powered with internal rechargeable batteries or thru a universal AC adapter/charger. Designed with a small footprint it can easily be transferred between the shop floor and laboratory.

FEATURES & BENEFITS

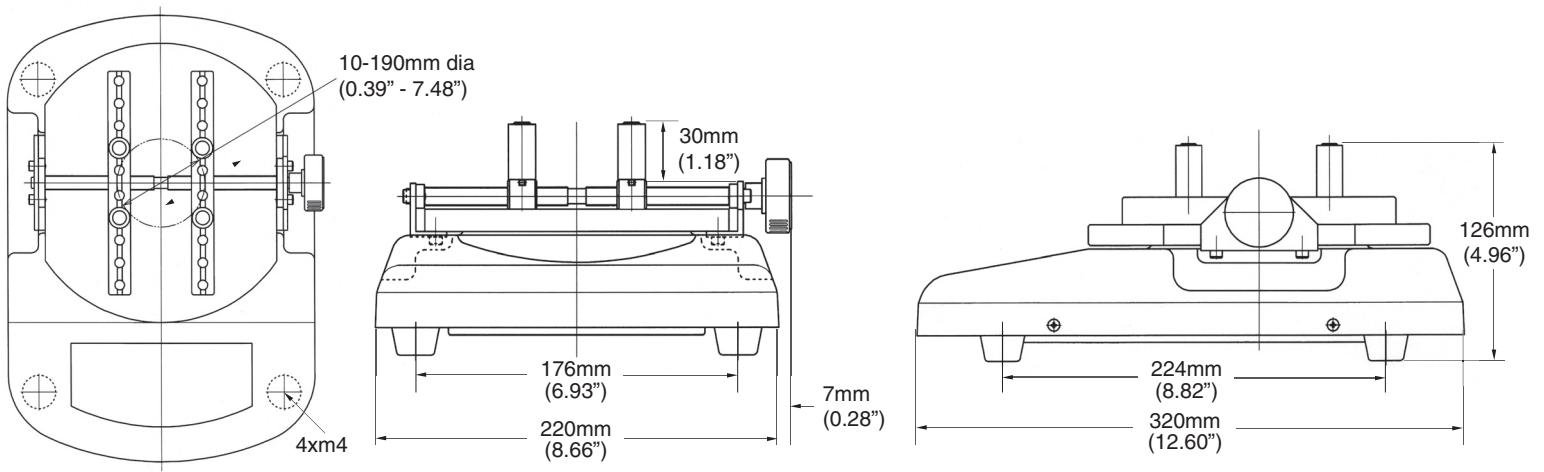
High Accuracy	± 0.5% F.S. to ensure precise results
Wide Torque Range	0.5Nm, 2Nm, 5Nm and 10Nm models to meet a wide variety of applications
Adjustable Sample Size	Quick and easy setup takes just seconds
Test Memory	One touch operation, stores up to 1000 measurements & resets for next test
Variable Units of Measures:	Displays Torque values in, Lbin, Kgcm, Nm, Ncm
Large Digital Display	Easy to read L.C.D.
PC Output	USB interface with add in "Digitorq" software for Microsoft Excel
Flexible Power	Rechargeable NiMH batteries and 120 / 240 VAC AC adapter
Selectable Measuring Modes	Captures Average and Peak Opening and Peak Closing torque values (CCW, CW)
Portable	Small foot print, compact, space saver design



Free Digitorq Software with Graphing Capability. Data logging



TNP Digital Torque Meter Shown checking gear head torque



SPECIFICATIONS

TNP- XX Series Digital Torque Tester w/USB interface

TNP Models	TNP-0.5	TNP-2	TNP-5	TNP-10
Measuring units	Ncm, mNm, gcm, lbin	Nm, Ncm, Kgcm, Lbin	Nm, Ncm, Kgcm, Lbin	Nm, Ncm, Kgcm, Lbin
Measuring range	0-50.00 Ncm	0-2.000 Nm	0-5.00 Nm	0-10.00 Nm
	0-500.0 mNm	0-200.0 Ncm	0-500.0 Ncm	0-1000 Ncm
	0-5099 gcm	0-20.39 Kgcm	0-50.99 Kgcm	0-102.0 Kgcm
	0-4.425 lbin	0-17.70 Lbin	0-44.25 Lbin	0-88.5 Lbin
Overload protection / Percentage overload	150% of full scale			
Sample diameter range	Φ 10 - 190 mm (0.39 " - 7.48 ")			
Overload display	Display "OVR" at sub display of LCD, blinking LED			
Display	Main display	4-digit LCD display Character height 12mm		
	Sub display	3-digit LCD display Character height 7mm		
	Comparator Display	HI - GO - LO (green and red LED indicator)		
Accuracy	± 0.5% Full Scale			
Measuring	Opening mode	Show max value when opening (peak display) Displays max counterclockwise torque.		
	Closing mode	Show max value when closing (peak display) Displays max clockwise torque.		
	Average mode	Real time display (average value display) Displays torque in real time.		
Display Update Time	Select from 0.125 second (8 times/second), 0.25 second (4 times/second), 0.5 second (2 times/second), 1 second(1 time/second). Peak display: 0.125 second			
Sampling Rate	1000 times/second			
Memory	Memory data number	1000 data (max)		
	Statistical process	Average value, max value, min value		
Data output	USB1.1			
PC software	Digitorg software (free, download from web site: www.shimpoint.com)			
Standard Accessories	USB cable, 120/240 VAC AC adapter, 30mm chuck pin (4pcs), Manual			
Optional Accessories	Torque pins available: 30mm (4pcs) TNP-TP30, 50mm (4pcs) TNP-TP50			
Power	Built in nickel hydride battery or Auto-ranging AC adapter (AC100 - 240V)			
Dimensions L x W x H mm/ (in)	320 x 227x 126 (12.60" x 8.94" x 4.96")			
Shipping weight	8 kg (17.62lb)	8 kg (17.62lb)	8 kg (17.62lb)	12.5 kg (27.53lb)
Operation environment	0 - 40 degree C / 32 - 104 degree F			
Certifications	CE approval			
Battery Type/Battery Life	NiMH / 8 hours after full charge			
Battery Recharge Time	Max. 16 hours			

DISTRIBUTED BY



170 Shields Court Unit 2
 Markham, ON L3R 9T5
 TEL: (905) 475-5880 ext. 226
 FAX: (905) 475-1231