

FGV-XY DART 2.0

Introducing the all new DART 2.0 Force Gauge from SHIMPO, now with USB Interface!

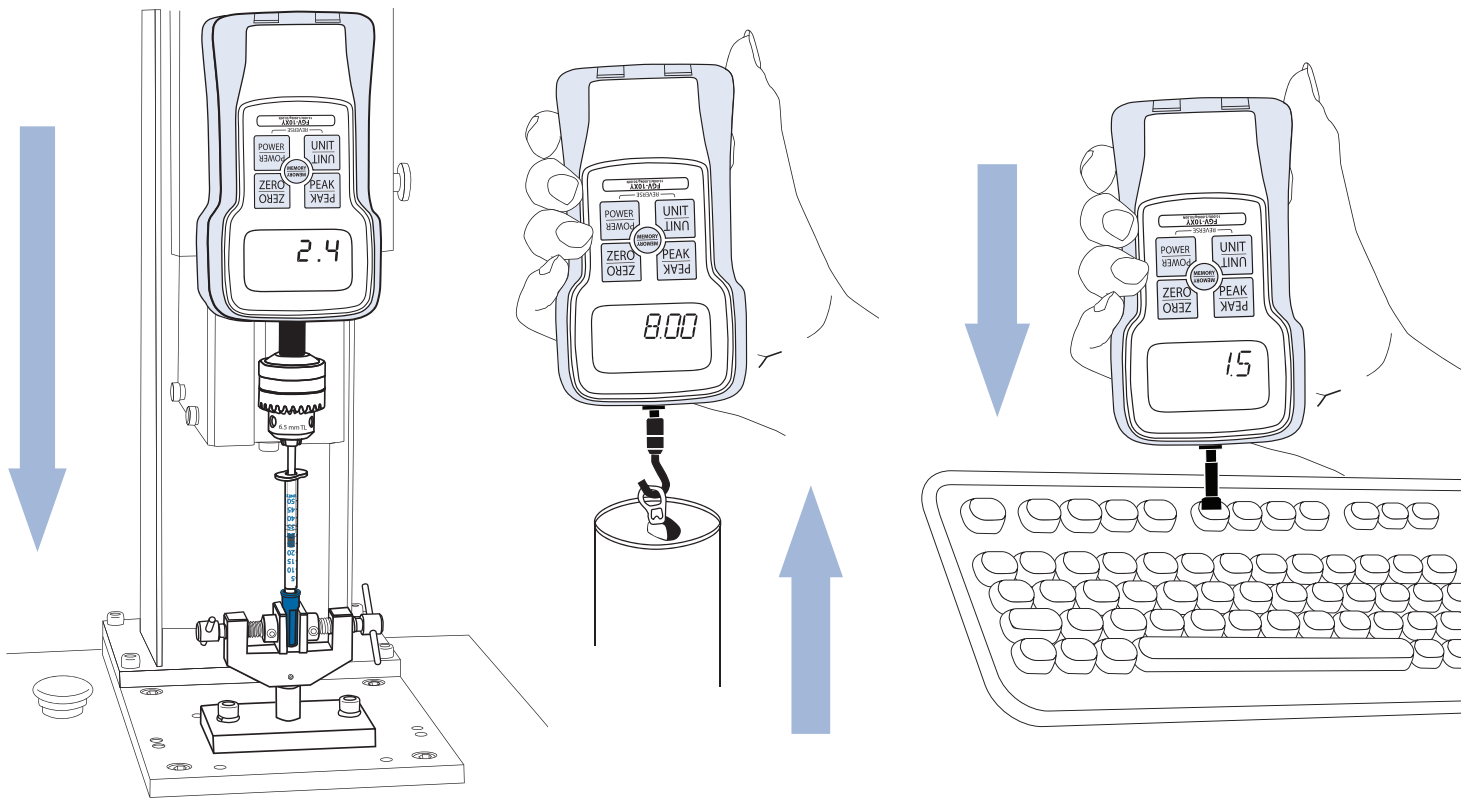
The all NEW DART 2.0 FGV-XY series gauges from SHIMPO combines the extensive features of the SHIMPO DFS with the rugged, ergonomic and compact design of the original DART series to provide a complete force testing instrument for a variety of industries. With free Toriemon USB software and USB cable, the FGV-XY provides a total package for force testing up to 200lbs.

↓ DUAL LABELED KEYPAD ↑



170 Shields Court Unit 2
Markham, ON L3R 9T5
TEL: (905) 475-5880 ext. 226
FAX: (905) 475-1231

**REVERSIBLE DISPLAY - EASY READING FOR
HANDHELD OR TEST STAND MOUNTING**

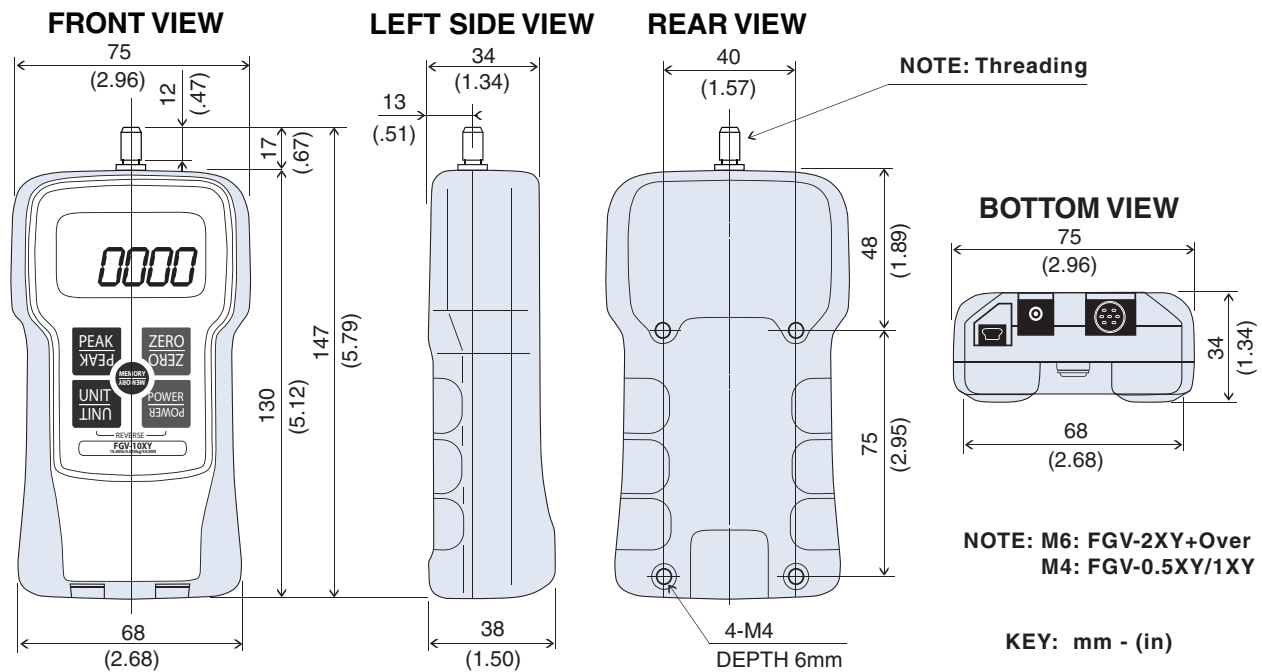


The ergonomically designed DART 2.0 provides an easy to use force gauge for incoming quality inspection, finished goods testing, R&D and other force-related applications. Onboard statistical calculations provide fast access to maximum, minimum, average and standard deviation data.

The USB port and 1,000 point memory allows for data exporting in real time or after testing is complete. In addition, the RS-232C and analog outputs provide the DART 2.0 with maximum flexibility.

Examples: Wallboard, wire pull, wire crimps, trigger pull, brake pedal, aerospace ceramic, springs, food ripeness, corrugated paper strength, blister pack, medical component, muscle strength, ergonomic testing, adhesives, syringe plunger, needle sharpness and many more.

| FEATURES | BENEFITS |
|--|--|
| 1000 Hz Sample Rate | Faster sampling to provide more accurate results |
| High Accuracy (0.2%) | Ideal for strict tolerances |
| USB/RS-232/Analog Outputs | 3 different outputs for data collection provides maximum flexibility |
| Reversible Keypad and Display | Use as a handheld gauge or mount upside down on a stand upside down reading not required |
| 0.5 Lb to 200 Lb Capacities | Various capacities allow testing of different applications without forfeiting accuracy |
| 200% Overload Capacity | Higher overload protection results in less repairs - Cheap to keep |
| Rugged Die Cast Aluminum Construction | Exceptional durability |
| Selectable Auto-Shut Off | Prolongs battery life, while allowing constant use when powered via AC adapter |
| Small Size | Ergonomic design provides comfort for hand held testing |
| On Board Statistics | Obtain immediate results and analysis of your tests |
| Expanded Memory | Store data points for later review and transfer to PC/Laptop |
| Built In Hi-Lo Comparator | Perform quick and easy 'Go-No Go' Testing |



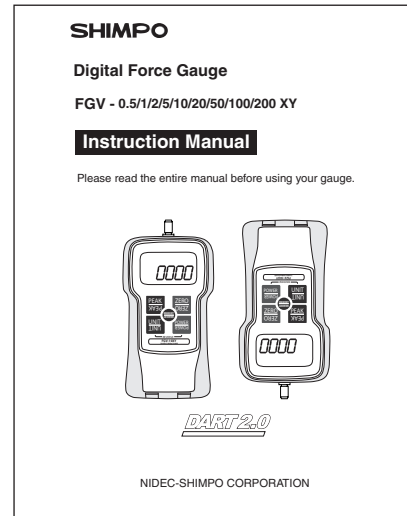
SPECIFICATIONS & DIMENSIONS

| Mode | FGV-0.5XY | FGV-1XY | FGV-2XY | FGV-5XY | FGV-10XY | FGV-20XY | FGV-50XY | FGV-100XY | FGV-200XY |
|--------------------------|--|--|---------|-------------|----------|----------|----------|-----------|--------------|
| Capacity | 0.5lb | 1 lb | 2 lb | 5 lb | 10 lb | 20 lb | 50 lb | 100 lbs | 200 lb |
| | 2 N | 5 N | 10 N | 20 N | 50 N | 100 N | 200 N | 500 N | 1000 N |
| | 200 g | 500 g | 1000 g | 2 kg | 5 kg | 10 kg | 20 kg | 50 kg | 100 kg |
| | 8 oz | 16 oz | 32 oz | 2 kg | 5 kg | 10 kg | 20 kg | 50 kg | 100 kg |
| Resolution | 0.001lb | 0.001lb | 0.001lb | 0.001 lb | 0.01 lb | 0.01 lb | 0.1 lb | 0.1 lb | 0.1 lb |
| | 0.001 N | 0.001 N | 0.001 N | 0.01 N | 0.01 N | 0.1 N | 0.1 N | 1 N | 1 N |
| | 0.1 g | 1 g | 1 g | 0.001 kg | 0.001 kg | 0.01 kg | 0.01 kg | 0.01 kg | 0.1 kg |
| | 0.01 oz | 0.01 oz | 0.01 oz | 0.001 kg | 0.001 kg | 0.01 kg | 0.01 kg | 0.01 kg | 0.1 kg |
| Units of Measure | lb / oz / g / N | | | lb / kg / N | | | | | |
| Measurement Modes | Standard, Compression Peak, Tension Peak | | | | | | | | |
| Display Rate | User Selectable: 1, 2, 3, 5, 10, 20 times per second | | | | | | | | |
| Sampling Rate | 1000 times per second | | | | | | | | |
| Accuracy | ± 0.2% F.S. | | | | | | | | |
| Influence of temperature | Gain : ± 0.01 LOAD / Zero : ±0.01 / R.C. / Drift of zero point can be cancelled with tracking function. | | | | | | | | |
| Display | Main display: 4-digits 12mm high, Reversible | | | | | | | | |
| | Units display: 3-digits 7mm high | | | | | | | | |
| | Other display: "LO BAT"(Low Battery Voltage), "BAT"(Battery Charging), "OVR"(Overload), "Peak"(Peak Hold) | | | | | | | | |
| Overload | 200% of Full Scale | | | | | | | | 150% F.S. |
| Tracking | User Selectable (ON/OFF) | | | | | | | | |
| Output | USB | Allows communication between FGV-XY and Windows PC Software with ToriemonUSB via USB cable(included). | | | | | | | |
| | RS-232C | Allows communication between the FGV-XY and RS-232C devices. RS-232C cable is an optional accessory. | | | | | | | |
| | Analog | ± 1V, Accuracy is ± 50mV through a 12 bit D/A. ZERO affects this output, and is updated at 1000 times/second. Load is >10k Ω | | | | | | | |
| | Overload/Comparator | Open-collector output (Max DC30V/5mA). | | | | | | | |
| Power | Rechargeable Nickel hydride battery or AC adapter/charger. Usable while charging. Operating Time: Approximately 8 hours after a full charge. Charging Time: 16 Hours Max. | | | | | | | | |
| Auto Power Off | Default is 10 minutes. Can be disabled. Automatically disabled when connected to AC adapter. | | | | | | | | |
| Memory function | Continuous memory: 1000 data points, Single memory: 100 data points, Standard memory: 50 data points Statistics functions (max, minimum, peak, average, standard deviation) | | | | | | | | |
| Comparator function | User Selectable: HI and LO | | | | | | | | |
| Temperature range | 0 ~ 40° C (-32 ~ 104° F) | | | | | | | | |
| Humidity range | 35 ~ 85% RH | | | | | | | | |
| Dimensions | 147mm (L)x 75mm (W) x 38mm(H) | | | | | | | | |
| Weight | Approx. 450g | | | | | | | | Approx. 500g |
| Accessories (Included) | AC adapter/charger, carrying case, hook, chisel, flat head, notched head, hanger, cone head, thread Adapter, extension rod, USB cable | | | | | | | | |
| Application software | Application software (USB version): Available at www.shimpoint.com/software for free. | | | | | | | | |

FGV-XY DART 2.0 KIT WITH STANDARD ACCESSORIES INCLUDED



FGV-XY 2.0 Kit with Standard Accessories



FGV-XY 2.0 Manual



FGV-XY DART 2.0



AC Adapter

USB Cable



Flat Head



Thread Adapter



Chisel



Cone Head



Notched Head



Hook



Hanger



Extension Rod



170 Shields Court Unit 2
 Markham, ON L3R 9T5
 TEL: (905) 475-5880 ext. 226
 FAX: (905) 475-1231