

# ANTIVIBRATION TABLE



release date 01-12-2014



An anti vibration table is designed for cooperation with analytical and laboratory balance or control scales. Its construction provides stable operation during precise weighing processes.

Working table has a separate basis and a top made in painted MDF technology. The top has an opening for stone plate which is a stabilizing element of the anti vibration table. Table construction is made of mild steel profiles with adjustable feet for height regulation. A stone plate is supported by an independent basis for improvement of stability.

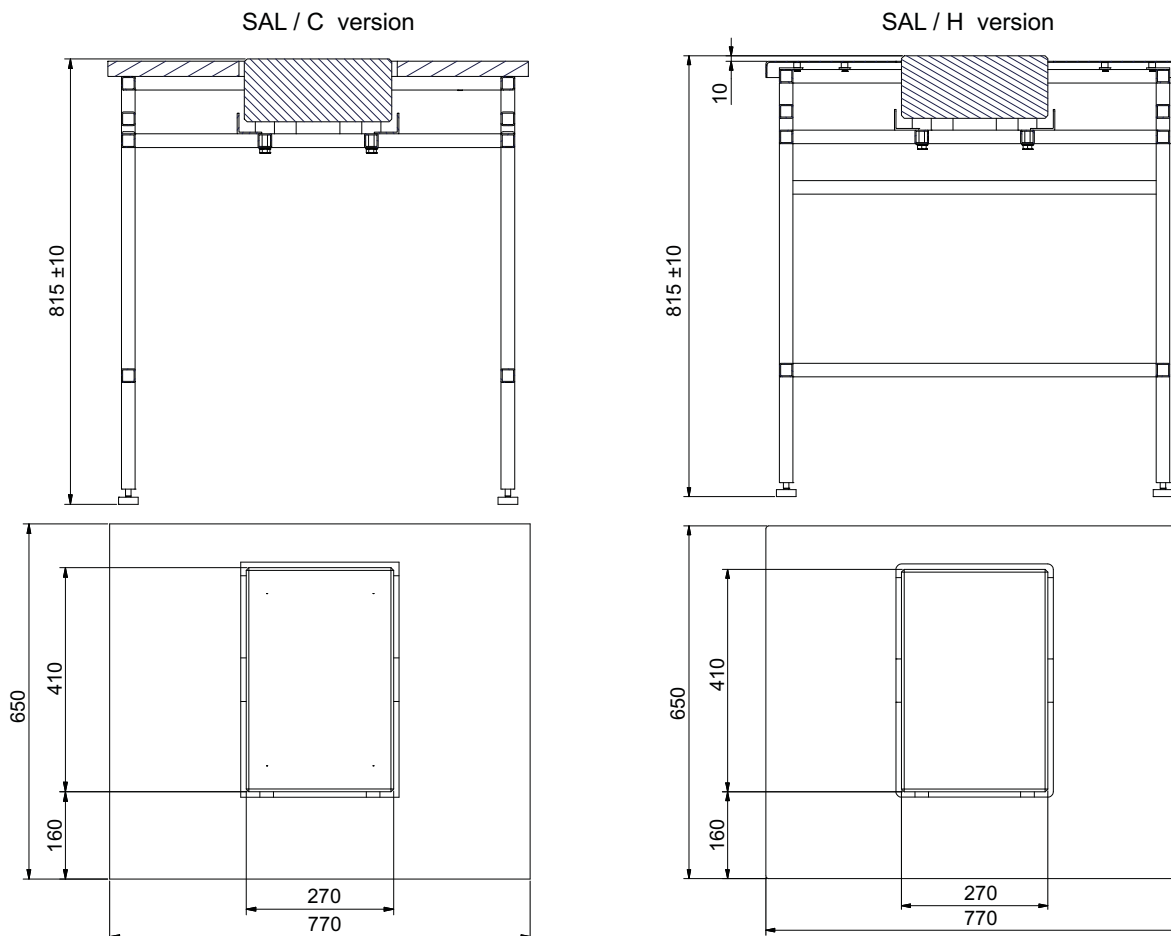
Anti vibration table components as well as the top can be manufactured in stainless steel technology (acid-proof), and table dimensions are adjustable to customer requirements.

Anti vibration table is accessible in three options:

**SAL / C** – anti vibration table in mild steel technology for laboratory balances

**SAL / H** – anti vibration table in stainless steel technology for laboratory balances

## Dimensions:



## Technical data:

Marble plate:		Working table:	
Length	410 mm	Length	770 mm
Width	270 mm	Width	650 mm
Height	115 mm	Height	815 mm
Weight	~34 kg	Weight	~21 kg