

# Basic™ Laboratory Hoods

## Features & Benefits

Basic 47 and 70 Laboratory Hoods are designed for modular laboratories, classrooms and light duty applications where safe ventilation is required.

Constructed of powder-coated steel, Basic Hoods are economical and have a smaller overall height and depth than traditional hoods so they fit in areas with low ceilings or narrow aisles.

**Front panel** may be removed for access to blower and electrical connections.

❖ **Versatile blower** mounts on top of the hood liner or in a remote location. Hoods are also available without blower.

**CE mark\***  
Contact Labconco for specific 230V, 50 Hz models that conform to CE (European Community) requirements for electrical safety and electromagnetic compatibility.

**Two-piece baffle** is adjustable.

**Durable and attractive exterior** is glacier white powder-coated steel.

**The right side fixture panel is factory-prepared** for up to three color-coded service fixtures, one duplex electrical receptacle and an airflow monitor.

**Vapor-proof lighting illuminates the interior**  
Explosion-proof models include an explosion-proof light fixture (**bulb not included**).

**Top of the hood liner factory-prepared to accommodate two customer-supplied apparatus rods**

**Vertical-rising tempered safety glass sash** protects the operator while providing excellent visibility.

**ETL-listed**  
Hoods carry the ETL mark signifying that they are certified to UL 61010-1 and CAN/CSA C22.2 No. 61010.1.

**The curved air foil** directs airflow into the hood to minimize turbulence and ensure fume containment. The foil lifts off for cleaning.

**Unassembled models available**  
Components fit into a carton less than one half its assembled size. The compact container is more economical to ship and store than assembled hood cartons and transports readily to remote locations. Assembly is simple and fast. **Unassembled models are not pre-wired.**

**Performance tested to ASHRAE 110**

**Right interior wall factory-prepared to accommodate an accessory cupsink and turret (sold separately)**

**Durable powder-coated 16 gauge steel liner** resists chemical degradation.

**Pre-wired electrical components**  
Incandescent lighting and switches are factory-wired to the hood's junction box. **Explosion-proof models are furnished without switches and wiring as these must conform to varying local codes.**

**Compact dimensions accommodate tight installations**



❖ Labconco exclusive feature

\*Contact Labconco for specific models.

# Basic™ Laboratory Hoods

## Specifications



### All models feature:

- By-pass airflow design
- Curved air foil that lifts off for cleaning
- Glacier white powder-coated, 16 gauge steel exterior and interior
- Two-piece adjustable baffle
- 3/16" thick tempered safety glass vertical-rising sash with powder-coated steel sash handle
- Removable front panel for access to electrical wiring
- Right side fixture panel factory-prepared for up to three service fixtures, one duplex electrical receptacle and one airflow monitor (**fixtures, receptacle and monitor not included**)
- Right interior wall factory-prepared for one cupsink and turret (**cupsink and turret not included**)

- Powder-coated steel 10.3" OD exhaust connection

### Standards conformance & regulations:

- CFR 29, Part 1910
- SEFA 1
- NFPA 45
- ASHRAE 110
- ANSI Z9.5\*
- UL 61010-1
- CAN/CSA C22.2 No. 61010.1
- UL 1805
- SEFA 8
- CE Conformity Marking (220V models)\*\*

### Vapor-proof models feature:

- Pre-wired 100-watt vapor-proof LED light, light and blower switches

### Explosion-proof models feature:

- Explosion-proof 100-watt light fixture (**Requires installation. Bulb not included.**)
- **Furnished without switches and wiring as these must conform to varying local codes**

### Models with blower module feature:

- Belt-driven blower with adjustable sheave
- Powder-coated steel base and housing
- Corrosion-resistant coated steel impeller

### Unassembled models feature:

- Basic 47 Hood carton dimensions: 51.0" w x 39.0" d x 14.5" h
- Basic 70 Hood carton dimensions: 74.0" w x 39.0" d x 14.5" h
- Blower carton dimensions (if applicable): 20.0" w x 28.0" d x 16.0" h

### Required accessories (not included):

- Blower†
- Ductwork
- Work surface. See page 28
- Base cabinet or stand

### Optional accessories for on-site installation include (see page 15):

- Service Fixture Kits
- Electrical Duplex Kits
- Guardian Airflow Monitor Kits
- Cupsink and Turret Kit
- Sash Stop Kit
- Right Side Finish Panel Kit

\*Does not apply to models with blower module.

\*\*Contact Labconco for specific models.

†Many models include a blower module.

♿ Heights of switches, electrical receptacles and service fixtures meet requirements of ADA.



# Basic™ 47 Laboratory Hoods

## Ordering Information & Dimensional Data

### Basic 47 Hoods with Blower Module

Capable of overcoming a maximum external static pressure of .25" H<sub>2</sub>O at 720 CFM (100 fpm).

Overall dimensions: 47.0" wide x 25.0" deep x 53.0" high (with blower module mounted on top of hood).

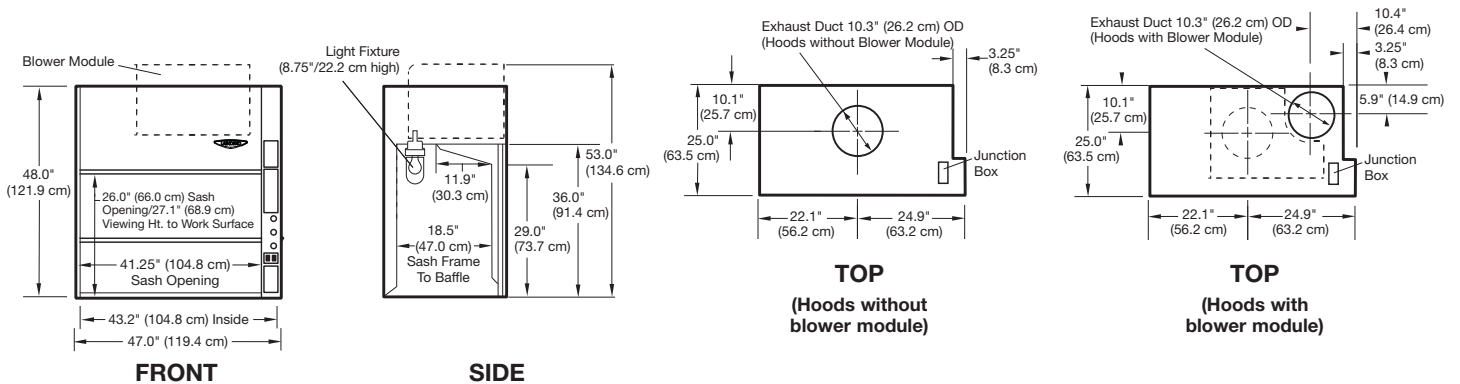
Catalog Number	Nominal Width	Electrical Requirements	Light Type	Blower Motor	Equivalent Resistance*		Assembly Configuration	Shipping Weight
					10" dia.	12" dia.		
2247300	4 Feet	115V, 60 Hz	Vapor-Proof	1/3 HP	100'	250'	Fully Assembled	370 lbs. (168 kg)
2247301**	4 Feet	220V, 50 Hz	Vapor-Proof	1/2 HP	100'	250'	Fully Assembled	370 lbs. (168 kg)
2247500	4 Feet	115/230V, 60 Hz	EP†	1/3 HP, EP	100'	250'	Fully Assembled	375 lbs. (170 kg)
2247501**	4 Feet	220V, 50 Hz	EP†	1/3 HP, EP	100'	250'	Fully Assembled	375 lbs. (170 kg)
2246603	4 Feet	115V, 60 Hz	Vapor-Proof	1/3 HP	100'	250'	Unassembled	272 lbs. (123 kg) 29 lbs. (13 kg)††
2246604**	4 Feet	220V, 50 Hz	Vapor-Proof	1/2 HP	100'	250'	Unassembled	272 lbs. (123 kg) 29 lbs. (13 kg)††
2246605	4 Feet	115/230V, 60 Hz	EP†	1/3 HP, EP	100'	250'	Unassembled	272 lbs. (123 kg) 41 lbs. (19 kg)††
2246606**	4 Feet	220V, 50 Hz	EP†	1/3 HP, EP	100'	250'	Unassembled	272 lbs. (123 kg) 41 lbs. (19 kg)††

### Basic 47 Hoods for use with remote blower

Static pressure loss does not exceed .35" H<sub>2</sub>O at 100 fpm (720 CFM). Overall dimensions: 47.0" wide x 25.0" deep x 48.0" high.

Catalog Number	Nominal Width	Electrical Requirements	Light Type	Assembly Configuration	Shipping Weight
2247400	4 Feet	100-115V, 50/60 Hz	Vapor-Proof	Fully Assembled	275 lbs. (125 kg)
2247401**	4 Feet	208-230V, 50/60 Hz	Vapor-Proof	Fully Assembled	275 lbs. (125 kg)
2246600	4 Feet	100-115V, 50/60 Hz	Vapor-Proof	Unassembled	272 lbs. (123 kg)
2246601**	4 Feet	208-230V, 50/60 Hz	Vapor-Proof	Unassembled	272 lbs. (123 kg)
2246602	4 Feet	115/230V, 50/60 Hz	EP†	Unassembled	272 lbs. (123 kg)

EP = explosion-proof



See page 15 for blower module detail.

\*Maximum length of straight duct to achieve 100 fpm face velocity.  
 \*\*International electrical configuration  
 †Bulb not included  
 ††Shipping weight of separate blower carton

# Basic™ 70 Laboratory Hoods

## Ordering Information & Dimensional Data

### Basic 70 Hoods with Blower Module

Capable of overcoming a maximum external static pressure of .23" H<sub>2</sub>O at 1120 CFM (100 fpm).

Overall dimensions: 70.0" wide x 25.0" deep x 53.0" high (with blower module mounted on top of hood).

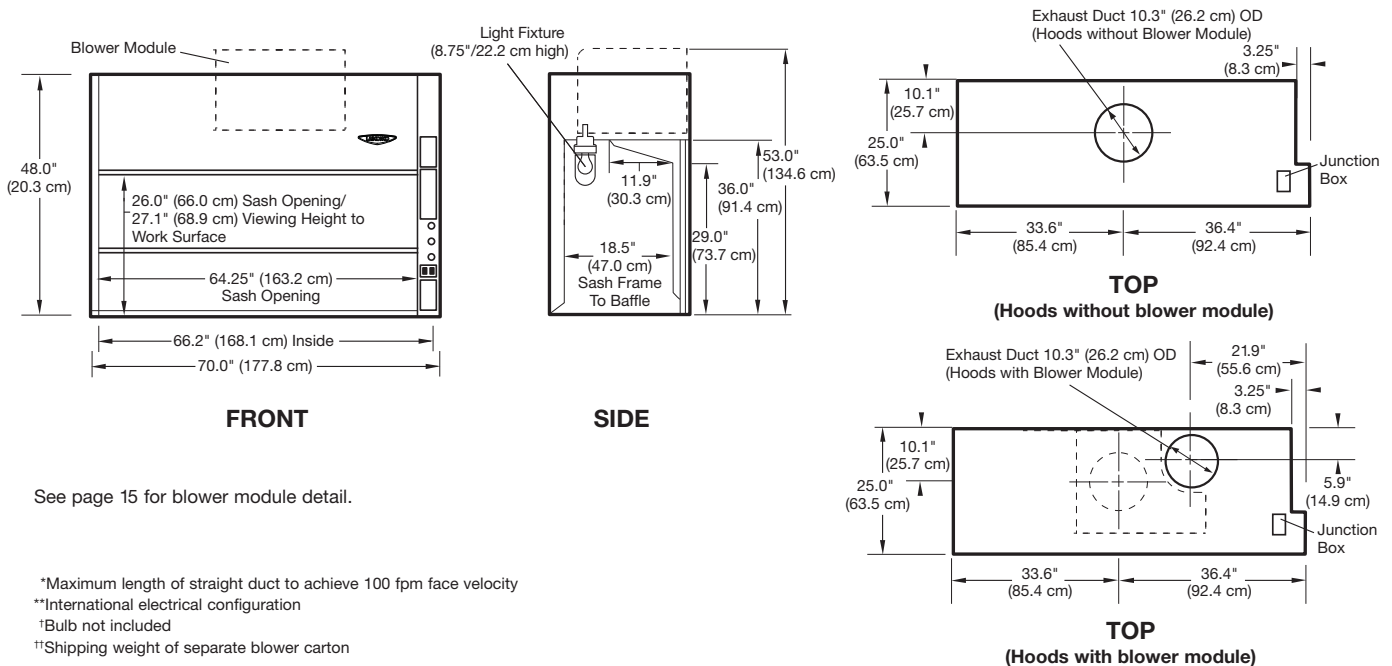
Catalog Number	Nominal Width	Electrical Requirements	Light Type	Blower Motor	Equivalent Resistance*		Assembly Configuration	Shipping Weight
					10" dia.	12" dia.		
2246300	6 Feet	115V, 60 Hz	Vapor-Proof	3/4 HP	45'	100'	Fully Assembled	450 lbs. (204 kg)
2246301**	6 Feet	220V, 50 Hz	Vapor-Proof	3/4 HP	45'	100'	Fully Assembled	450 lbs. (204 kg)
2246500	6 Feet	115/230V, 60 Hz	EP†	3/4 HP, EP	45'	100'	Fully Assembled	455 lbs. (206 kg)
2246501**	6 Feet	220V, 50 Hz	EP†	3/4 HP, EP	45'	100'	Fully Assembled	455 lbs. (206 kg)
2246703	6 Feet	115V, 60 Hz	Vapor-Proof	3/4 HP	45'	100'	Unassembled	426 lbs. (193 kg) 29 lbs. (13 kg) <sup>††</sup>
2246704**	6 Feet	220V, 50 Hz	Vapor-Proof	3/4 HP	45'	100'	Unassembled	426 lbs. (193 kg) 41 lbs. (19 kg) <sup>††</sup>
2246705	6 Feet	115/230V, 60 Hz	EP†	3/4 HP, EP	45'	100'	Unassembled	426 lbs. (193 kg) 41 lbs. (19 kg) <sup>††</sup>
2246706**	6 Feet	220V, 50 Hz	EP†	3/4 HP, EP	45'	100'	Unassembled	426 lbs. (193 kg) 41 lbs. (19 kg) <sup>††</sup>

### Basic 70 Hoods for use with remote blower

Static pressure loss does not exceed .57" H<sub>2</sub>O at 100 fpm (1120 CFM). Overall dimensions: 70.0" wide x 25.0" deep x 48.0" high.

Catalog Number	Nominal Width	Electrical Requirements	Light Type	Assembly Configuration	Shipping Weight
2246400	6 Feet	100-115V, 50/60 Hz	Vapor-Proof	Fully Assembled	430 lbs. (195 kg)
2246401**	6 Feet	208-230V, 50/60 Hz	Vapor-Proof	Fully Assembled	430 lbs. (195 kg)
2246700	6 Feet	100-115V, 50/60 Hz	Vapor-Proof	Unassembled	426 lbs. (193 kg)
2246701**	6 Feet	208-230V, 50/60 Hz	Vapor-Proof	Unassembled	426 lbs. (193 kg)
2246702	6 Feet	115/230V, 50/60 Hz	EP†	Unassembled	426 lbs. (193 kg)

EP = explosion-proof



See page 15 for blower module detail.

\*Maximum length of straight duct to achieve 100 fpm face velocity  
 \*\*International electrical configuration  
 †Bulb not included  
 ††Shipping weight of separate blower carton

# Basic™ Laboratory Hoods

## Accessories



**Guardian™ 500 Airflow Monitor Kits.** Audible/visual alarm alerts user to low face velocity. For installation in a factory-prepared cutout on upper portion of right side fixture panel. Shipping weight 6.0 lbs. (2.7 kg)

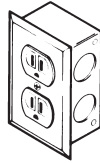
Catalog Number	Description
9743208	For 115V, 60 Hz operation
9743210**	For 230V, 50 Hz operation



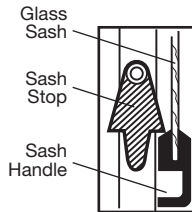
**Guardian™ Digital Airflow Monitor Kits.** LCD displays average face velocity. Audible/visual alarm alerts user to low or high face velocity. For installation in a factory-prepared cutout on upper portion of right side fixture panel. Shipping weight 6.0 lbs. (2.7 kg)

Catalog Number	Description
9743207	For 115V, 60 Hz operation
9743209**	For 230V, 50 Hz operation

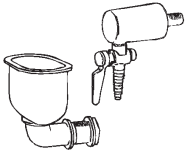
**Duplex Electrical Receptacle Kits.** Include duplex electrical receptacle, junction box and receptacle cover plate. For mounting on the lower right side fixture panel. **Electrical wiring is not included.** Shipping weight 4.0 lbs. (1.8 kg)



Catalog Number	Description
4844400	115V, 20A AC
4844401	115V, 20A AC, GFCI

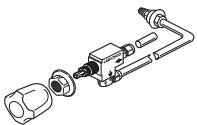


**4965901—Sash Stop Kit.** Restricts how far the sash may be opened. This small plastic device may be easily installed on the left side of Basic Hoods. Shipping weight 0.5 lb. (0.2 kg)



**4852500—Cupsink and Turret Kit.** Polypropylene cupsink, 3.0" x 6.0", and chrome turret mount on right side wall. **Plumbing pipe is not included.** Shipping weight 0.5 lb. (0.2 kg)

**4878600—Right Side Finish Panel Kit.** Recommended. Includes a glacier white powder-coated steel panel to provide a finished appearance to the right side of the hood. Panel hides the exposed plumbing when service fixtures are installed. Not for use with 4852500 Cupsink and Turret. Shipping weight 20 lbs. (9 kg)

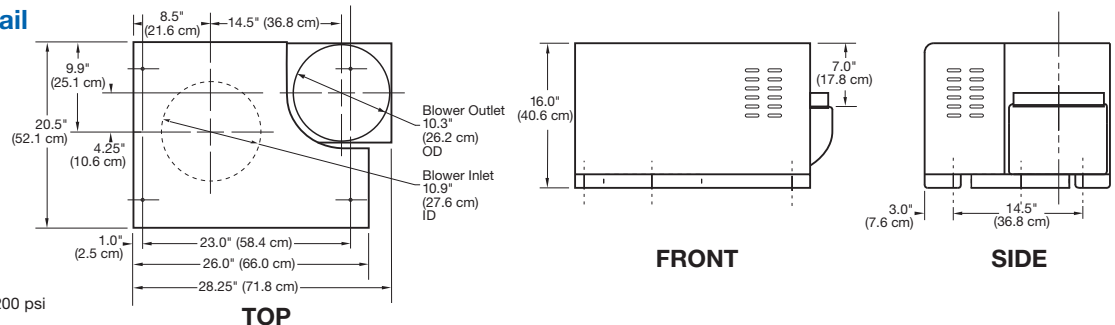


**Standard Service Fixture Kits.** Include one remotely-controlled service fixture with 0.25" diameter valve and tubing, color-coded fixture knob and color-coded hose connector. For mounting on the right side fixture panel. Shipping weight 4.0 lbs. (1.8 kg)

Catalog Number	Kit	Tubing	Valve	Knob/Connector Color	Max. Flow Rate	Max. Working Pressure*
2832600	Cold Water (CW)	Copper	Brass	Green	3.5 GPM (13.2 LPM)	40 psi
2832601	Hot Water (HW)	Copper	Brass	Red	3.5 GPM (13.2 LPM)	40 psi
2832602	Deionized/Distilled Water (DW)	Stainless Steel	Nickel-Plated & Stainless Steel	White	3.5 GPM (13.2 LPM)	40 psi
2832603	Vacuum (VAC)	Copper	Brass	Yellow	8.6 CFM	14.7 psi
2832604	Air (AIR)	Copper	Brass	Orange	23.7 CFM	40 psi
2832605	Gas (GAS)	Brass	Brass	Blue	29.0 CFM (441 BTU/sec)	40 psi
2832606	Nitrogen (NIT)	Copper	Brass	Brown	24.1 CFM	40 psi
2832607	Argon (ARG)	Copper	Brass	Gray	20.2 CFM	40 psi
2832608	Steam (STM)	Copper	Brass	Black	0.5 LBM/min	40 psi

GPM = gallons per minute LPM = liters per minute CFM = cubic feet per minute BTU/sec = British thermal unit per second  
LBM/min = pounds mass per minute

### Blower Module Detail



\*Maximum allowable pressure is 200 psi with a working pressure of 40 psi.  
 \*\*International electrical configuration