



# Light Duty Orbital Shakers



## *Choose from Four Models for Light Duty Shaking*

Light Duty Shakers are designed for applications with loads under 3.6 kg. Choose from two orbit and speed ranges to optimize your sample mix. Microprocessor-controlled and available as an analog model with basic speed control, two digital models which include a non-slip mat that can be removed to mount flask clamps and tube racks directly onto the tray, and a digital Microplate Shaker model which can hold up to four microplates or two microtube racks.

### *Standard Features:*

- **Microprocessor—Controlled for Consistent Shaking Action**  
The variable speed, microprocessor control provides consistent, uniform shaking action. The microprocessor displays the last set-point and will restart if power is interrupted (on digital models).
- **Triple Eccentric Drive Provides Reliable Service and Continuous Duty Operation**  
Triple eccentric drive with permanently lubricated ball bearings and maintenance-free, brushless DC motor provide reliable service and continuous-duty operation.
- **Safety Features Include Speed Ramping and Overload Protection**  
Units slowly increase speed to desired set-point to avoid splashing. Digital models feature overload protection—audible and visual signals activate when system detects an obstruction or tray overload.

# Light Duty Orbital Shakers

| Model                  | SHLD0415AL   | SHLD0403DG   | SHLD0415DG               | SHLDMP03DG                         |
|------------------------|--|--|--------------------------|------------------------------------|
| Control                | Analog   | Digital  |                          |                                    |
| Motion                 | Orbital, 0.6 in. / 15 mm                               | Orbital, 0.1 in. / 3 mm                                  | Orbital, 0.6 in. / 15 mm | Orbital, 0.1 in. / 3 mm            |
| Speed Range            | 40 to 300 rpm  | 100 to 1200 rpm  | 40 to 300 rpm            | 100 to 1200 rpm                    |
| Timer                  | N/A  | 1 second to 160 hours                                    |                          |                                    |
| Capacity               | 8 lb / 3.6 kg  |  |                          | 4 Microplates or 2 Microtube Racks |
| Working Environment    | 32 °F – 104 °F / 0 °C to 40 °C, 80% RH, non-condensing | 14 °F – 140 °F / -10 °C to 60 °C, 80% RH, non-condensing |                          |                                    |
| Drive System           | Brushless DC Motor; Triple Eccentric                   |  |                          |                                    |
| Tray Size (L × W)      | 11.75 × 8.75 in. / 299 × 222 mm                        |  |                          | 11 × 7.75 in. / 279 × 197 mm       |
| Tray Construction      | Aluminum   |  |                          |                                    |
| Dimensions (H × L × W) | 4.3 × 16.3 × 10.3 in. / 108 × 413 × 260 mm             |  |                          |                                    |
| Net Weight             | 24 lb / 10.9 kg  |  |                          |                                    |
| Power                  | 120V, 5A, 50/60Hz                                      |  |                          |                                    |
| Power Consumption      | 25 W   |  |                          |                                    |

## Other Standard Features and Equipment

Non-slip mat (11.75 × 8.75 in.) included with all models except SHLDMP03DG

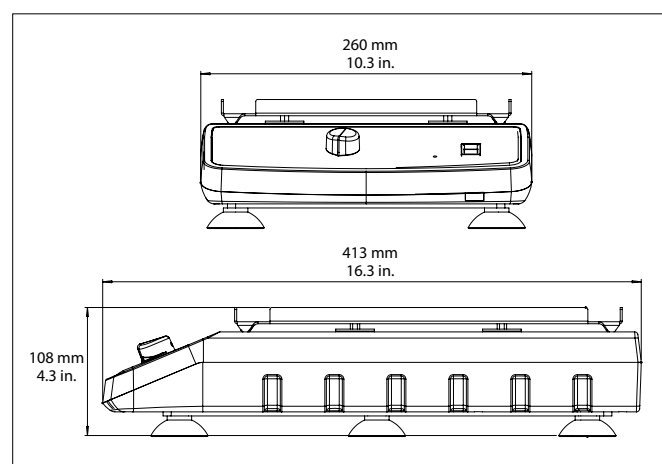
## Compliance

- **Product Safety:** CAN/CSA C22.2 61010-1, CAN/CSA C22.2 61010-2-051, UL 61010-1
- **Electromagnetic Compatibility:** ICES-003 Class A, FCC Part 15 Class A
- **Compliance Marks:** TÜV SÜD

## Accessories

| Accessories for SHLD0403DG and SHLD0415DG |  |                 |
|---|--|-----------------|
| Item No.                                  | Description  | Max. per Shaker |
| 30400084                                  | Flask Clamp, 10 mL   | 35              |
| 30400085                                  | Flask Clamp, 25 mL   | 20              |
| 30400086                                  | Flask Clamp, 50 mL   | 15              |
| 30400087                                  | Flask Clamp, 125 mL  | 12              |
| 30400088                                  | Flask Clamp, 250 mL  | 6               |
| 30400089                                  | Flask Clamp, 500 mL  | 4               |
| 30400097                                  | Flask Media Bottle Clamp, 500 mL                           | 3               |
| 30400099                                  | Flask Clamp PVC 125 mL                                     | 12              |
| 30400100                                  | Flask Clamp PVC 250 mL                                     | 6               |
| 30400101                                  | Flask Clamp PVC 500 mL                                     | 4               |
| 30400114                                  | Microtube Rack (70 tubes per rack)                         | 2               |
| 30400115                                  | Tube Rack Ø 10–13 mm (63 tubes per rack)                   | 2               |
| 30400116                                  | Tube Rack Ø 14–16 mm (48 tubes per rack)                   | 2               |
| 30400117                                  | Tube Rack Ø 18–20 mm (35 tubes per rack)                   | 2               |
| 30400118                                  | Tube Rack Ø 22–25 mm (24 tubes per rack)                   | 2               |
| 30400119                                  | Tube Rack 15 mL (35 tubes per rack)                        | 2               |
| 30400120                                  | Tube Rack 50 mL (12 tubes per rack)                        | 2               |
| 30400121                                  | Adjustable Platform, 8.6 × 11.7 in. / 22 × 30 cm, 2 bars   | 1               |
| 30400122                                  | Roller Bar, 8.6 in. / 22 cm (for Adjustable Platform only) | Variable        |
| 30400123                                  | Universal Harness  | 1               |
| 30400124                                  | Dimpled Mat, 8.75 × 11.75 in. / 22 × 30 cm                 | 1               |
| 30400125                                  | Dilution Cup Tray  | 1               |
| Accessories for SHLD0415AL                |  |                 |
| 30400124                                  | Dimpled Mat, 8.75 × 11.75 in. / 22 × 30 cm                 | 1               |
| Accessories for SHLDMP03DG                |  |                 |
| 30400114                                  | Microtube Rack (70 tubes per rack)                         | 2               |

## Dimensions



## OHAUS CORPORATION

7 Campus Drive  
Suite 310  
Parsippany, NJ 07054 USA

Tel: 800.672.7722  
973.377.9000  
Fax: 973.944.7177

[www.ohaus.com](http://www.ohaus.com)

*The management system governing the manufacture of this product is ISO 9001:2015 certified.*

