

X-PerTM

FILTERED
BALANCE SYSTEMS



Protecting your
laboratory environment

LABCONCO




RXPert™ Double Filtered Balance Systems

FEATURES & BENEFITS


Patented* RXPert Double Filtered Balance Systems meet the USP <800>† requirements for non-sterile hazardous compounding. These Class I biological safety cabinets use double HEPA filtration

to contain airborne particulates and powders, providing user protection during hazardous drug manipulation. **No outside ducting is required.**

Meet USP <800>† requirements for redundant HEPA filters in series used in non-sterile hazardous compounding.

 Easy 100% leak-detection scanning of both HEPA filters without altering or removing impellers or filters.


Built-in impeller has vibration-isolation supports to minimize disturbance to sensitive balances.

 True bag-in/bag-out HEPA filter disposal system for both filters. Allows for safe filter replacement.

Static-dissipative powder-coated aluminum frame and steel rear plenum and baffle. No unreliable plastic-to-plastic bonding is used.

Front-mounted pressure gauge helps determine HEPA filter loading.


Tempered safety glass provides better fire, scratch and chemical resistance than acrylic and dissipates static charge.

 Patented** rear baffle with zones of perforations promotes horizontal laminar airflow. The baffle pivots down for cleaning.


Two utility ports with iris openings allow passage of tubing, electrical cords and cables from inside to back exterior for connection to services.




Built-in airflow monitor alerts the user to face velocities outside of preset range.

 Upper dilution air supply sweeps clean air to the back of sash to keep contaminants away from the operator.

Ergonomic angled sash for comfortable viewing.

 Upper containment sash foil directs contaminants away from the user's breathing zone.

 Side-entry air foils allow air to sweep interior surfaces to enhance containment.

 Patented** Clean-Sweep™ air foil allows air to sweep the work surface to maximize containment.


Quiet operation as low as 48 decibels.

Two interior heights available. Enclosures, 2' and 3' wide, are offered with 22.7" interior height. Enclosures 5' and 6' wide, are offered with 32.0" interior height. Enclosures, 4' wide, are available in either depth.

Deep interior easily accommodates large analytical balances. Two interior depths are offered, depending on the model. Enclosures, 2' and 3' wide, are 23.4" deep. Enclosures, 4', 5' and 6' wide, are available with interior depth of 23.4" or 30.0".

Space-saving design. Impeller and HEPA filter are contained within the enclosure's upper plenum for a small overall footprint.

Work surface, on some models, is included. Select the model that fits your application and installation. On some models, a solid epoxy dished work surface is included. Other models include a Type 304 stainless steel work surface. Models without a work surface are also offered.

 Intrinsically safe. The positive pressure impeller is surrounded by a negative pressure plenum so that if a leak should develop, the unfiltered air is captured and refiltered.



 Exclusive feature

* U.S. Design Patent D,538,941
† U.S. Pharmacopeial Convention standard
†† U.S. Patent 6,461,233



The 4' RXPert Tall Double Filtered Balance System shown above has a 32.0" interior height.



RXPert™ Double Filtered Balance Systems

SPECIFICATIONS



RXPert Filtered Balance System 3971487 includes the Black Solid Epoxy Dished Work Surface. Telescoping Base Stand 3746712 is sold separately.



All models feature:

- Patented* design.
- Deep interior of 23.4" or 30.0" depending on the model.
- Ergonomic air foil with aerodynamic Clean-Sweep[†] airflow openings.
- Upper dilution air supply.
- Upper containment sash foil.
- Zone-perforated, pivoting rear baffle.[‡]
- Side-entry air foils.
 - Two exhaust HEPA filters, 99.99% efficient on particles 0.3 micron in size.
- Each HEPA filter 100% independently leak-detection scannable without removing impellers or filters.
- True bag-in/bag-out filter disposal system (requires certified technician).
- Built-in blower with dynamically-balanced, vibration-isolated motorized impeller and speed control. Blower has a 40% reserve so that the speed may be adjusted as needed by a certified technician as the filter loads.

- Guardian Airflow Monitor that continuously monitors airflow with a green LED that glows when airflow is within set point range and a red LED that glows and an audible alarm that sounds when airflow is outside set point range.
- Pressure gauge.
- Intrinsically safe, negative pressure design.
- Quiet operation (see chart below).
- Glacier white and gray, powder-coated aluminum frame and steel rear plenum and baffle. No unreliable plastic-to-plastic bonding is used.
- Pre-wired fluorescent lamp and switches for blower and light.
- 1/4" thick tempered safety glass front sash and sides.
- Ergonomic angled and hinged, pivoting sash with wiping seal. Sashes on taller 4', 5' and 6' models incorporate an external gas-assist lift.
- Models with 9.4" sash opening height have 16.5" locking height and 19.0" maximum loading height. Models with 12.0" sash opening height have 25.75" locking height and 28.25" maximum loading height.
- Two (1.5") utility ports for pass-through of electrical cords.
- 8' cord included.
- Particulate containment independently verified by SafeBridge Consultants, Inc.
- Validation package available containing balance stability, powder containment and modified ASHRAE 110 Test Reports.

All models conform to the following regulations and standards:

- USP <800> non-sterile compounding**
- SEFA 1
- Modified ASHRAE 110
- ANSI Z9.5
- UL 61010-1
- CAN/CSA C22.2 No. 1010.1
- CE Conformity Marking (230V models)

5' and 6' models with 35.5" exterior depth include:

- Left-side mounted waste chute. Bags not included. Minimum bag size required: 10" x 16". See page 10.

Models with stainless steel work surface also include:

- Type 304 stainless steel work surface with front spill trough.

Models with epoxy work surface also include:

- Solid epoxy dished work surface.

All models require:[‡]

- Supporting base. See back cover.

Optional accessories for on-site installation include:

- Canopy Connections. See page 10.
- Remote Blowers. See page 10.
- Waste Chute Stopper and Bags. See page 10.



Exclusive feature
 *U.S. Design Patent D538,941 †U.S. Patent 6,461,233
 ** U.S. Pharmacopeial Convention standard
 †† Models without work surface also require a work surface.
 Contact Labconco for ordering information on work surfaces.

Nominal Width	Sash Opening Ht.	Total Exhaust CFM and Sound Levels					
		100 fpm	db(A)	80 fpm	db(A)	60 fpm	db(A)
2 Feet	9.4"	145	53-58	115	50-55	85	48-53
3 Feet	9.4"	220	58-61	175	53-58	130	48-53
4 Feet	9.4"	295	62-66	235	58-61	175	49-54
4 Feet	12.0"	380	67-70	305	62-66	230	58-61
5 Feet	12.0"	480	63-67	385	58-63	290	52-56
6 Feet	12.0"	580	67-69	465	61-63	350	55-57



RXPert™ Double Filtered Balance Systems

ORDERING INFORMATION & DIMENSIONAL DATA

RXPert™ Double Filtered Balance Systems						
Nominal Width	Catalog Number	Overall Dimensions*	Interior Dimensions	Electrical Requirements	Work Surface	Shipping Weight lbs./kg
2'	3971280	24.0" w x 29.0" d x 49.5" h	21.6" w x 23.4" d x 22.7" h	100-115 volts, 60 Hz	Not Included	269/122
2'	3971281	24.0" w x 29.0" d x 49.5" h	21.6" w x 23.4" d x 22.7" h	100-115 volts, 60 Hz	Stainless Steel	344/156
2'	3971282	24.0" w x 29.0" d x 49.5" h	21.6" w x 23.4" d x 22.7" h	100-115 volts, 60 Hz	Solid Epoxy	364/165
2'	3971283	24.0" w x 29.0" d x 49.5" h	21.6" w x 23.4" d x 22.7" h	230 volts, 50/60 Hz	Not Included	269/122
3'	3971380	36.0" w x 29.0" d x 49.5" h	33.6" w x 23.4" d x 22.7" h	100-115 volts, 60 Hz	Not Included	327/148
3'	3971381	36.0" w x 29.0" d x 49.5" h	33.6" w x 23.4" d x 22.7" h	100-115 volts, 60 Hz	Stainless Steel	402/182
3'	3971382	36.0" w x 29.0" d x 49.5" h	33.6" w x 23.4" d x 22.7" h	100-115 volts, 60 Hz	Solid Epoxy	452/205
3'	3971383	36.0" w x 29.0" d x 49.5" h	33.6" w x 23.4" d x 22.7" h	230 volts, 50/60 Hz	Not Included	327/148
4'	3971480	48.0" w x 29.0" d x 49.5" h	45.6" w x 23.4" d x 22.7" h	100-115 volts, 60 Hz	Not Included	401/182
4'	3971481	48.0" w x 29.0" d x 49.5" h	45.6" w x 23.4" d x 22.7" h	100-115 volts, 60 Hz	Stainless Steel	501/227
4'	3971482	48.0" w x 29.0" d x 49.5" h	45.6" w x 23.4" d x 22.7" h	100-115 volts, 60 Hz	Solid Epoxy	541/245
4'	3971483	48.0" w x 29.0" d x 49.5" h	45.6" w x 23.4" d x 22.7" h	230 volts, 50/60 Hz	Not Included	401/182
4'	3971485	48.0" w x 29.0" d x 58.8" h	45.6" w x 23.4" d x 32.0" h	100-115 volts, 60 Hz	Not Included	420/191
4'	3971486	48.0" w x 29.0" d x 58.8" h	45.6" w x 23.4" d x 32.0" h	100-115 volts, 60 Hz	Stainless Steel	520/236
4'	3971487	48.0" w x 29.0" d x 58.8" h	45.6" w x 23.4" d x 32.0" h	100-115 volts, 60 Hz	Solid Epoxy	560/254
4'	3971488	48.0" w x 29.0" d x 58.8" h	45.6" w x 23.4" d x 32.0" h	230 volts, 50/60 Hz	Not Included	420/191
4'	3971490	48.0" w x 35.5" d x 58.8" h	45.6" w x 30.0" d x 32.0" h	100-115 volts, 60 Hz	Not Included	450/204
4'	3971491	48.0" w x 35.5" d x 58.8" h	45.6" w x 30.0" d x 32.0" h	100-115 volts, 60 Hz	Stainless Steel	550/249
4'	3971492	48.0" w x 35.5" d x 58.8" h	45.6" w x 30.0" d x 32.0" h	100-115 volts, 60 Hz	Solid Epoxy	590/268
4'	3971493	48.0" w x 35.5" d x 58.8" h	45.6" w x 30.0" d x 32.0" h	230 volts, 50/60 Hz	Not Included	450/204
5'	3971585	60.0" w x 29.0" d x 58.8" h	57.6" w x 23.4" d x 32.0" h	100-115 volts, 60 Hz	Not Included	698/317
5'	3971586	60.0" w x 29.0" d x 58.8" h	57.6" w x 23.4" d x 32.0" h	100-115 volts, 60 Hz	Stainless Steel	798/362
5'	3971587	60.0" w x 29.0" d x 58.8" h	57.6" w x 23.4" d x 32.0" h	100-115 volts, 60 Hz	Solid Epoxy	838/380
5'	3971588	60.0" w x 29.0" d x 58.8" h	57.6" w x 23.4" d x 32.0" h	230 volts, 50/60 Hz	Not Included	698/317
5'	3971590	60.0" w x 35.5" d x 58.8" h	57.6" w x 30.0" d x 32.0" h	100-115 volts, 60 Hz	Not Included	745/338
5'	3971591	60.0" w x 35.5" d x 58.8" h	57.6" w x 30.0" d x 32.0" h	100-115 volts, 60 Hz	Stainless Steel	845/383
5'	3971592	60.0" w x 35.5" d x 58.8" h	57.6" w x 30.0" d x 32.0" h	100-115 volts, 60 Hz	Solid Epoxy	885/401
5'	3971593	60.0" w x 35.5" d x 58.8" h	57.6" w x 30.0" d x 32.0" h	230 volts, 50/60 Hz	Not Included	745/338
6'	3971685	72.0" w x 29.0" d x 58.8" h	69.6" w x 23.4" d x 32.0" h	100-115 volts, 60 Hz	Not Included	840/381
6'	3971686	72.0" w x 29.0" d x 58.8" h	69.6" w x 23.4" d x 32.0" h	100-115 volts, 60 Hz	Stainless Steel	940/426
6'	3971687	72.0" w x 29.0" d x 58.8" h	69.6" w x 23.4" d x 32.0" h	100-115 volts, 60 Hz	Solid Epoxy	980/445
6'	3971688	72.0" w x 29.0" d x 58.8" h	69.6" w x 23.4" d x 32.0" h	230 volts, 50/60 Hz	Not Included	840/381
6'	3971690	72.0" w x 35.5" d x 58.8" h	69.6" w x 30.0" d x 32.0" h	100-115 volts, 60 Hz	Not Included	892/405
6'	3971691	72.0" w x 35.5" d x 58.8" h	69.6" w x 30.0" d x 32.0" h	100-115 volts, 60 Hz	Stainless Steel	992/450
6'	3971692	72.0" w x 35.5" d x 58.8" h	69.6" w x 30.0" d x 32.0" h	100-115 volts, 60 Hz	Solid Epoxy	1032/468
6'	3971693	72.0" w x 35.5" d x 58.8" h	69.6" w x 30.0" d x 32.0" h	230 volts, 50/60 Hz	Not Included	892/405

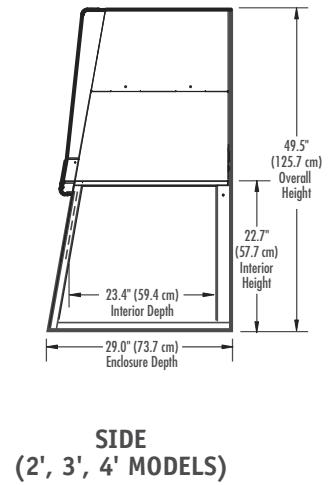
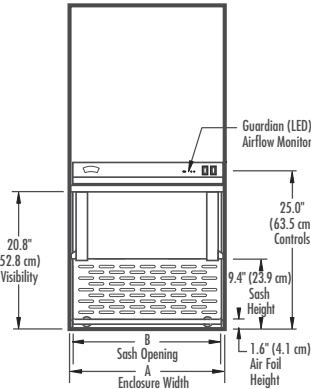
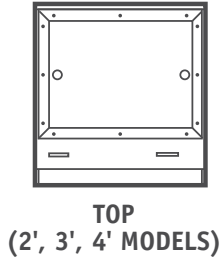
*Overall dimensions do not include work surface, where applicable.



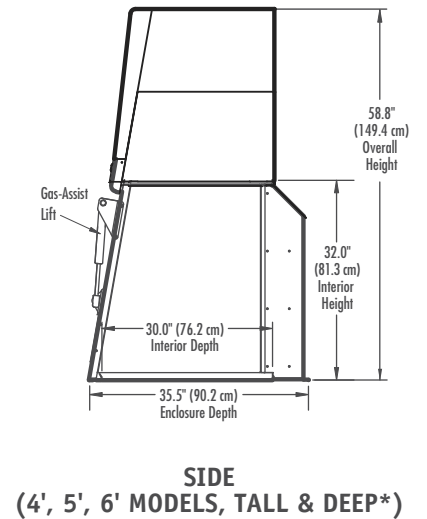
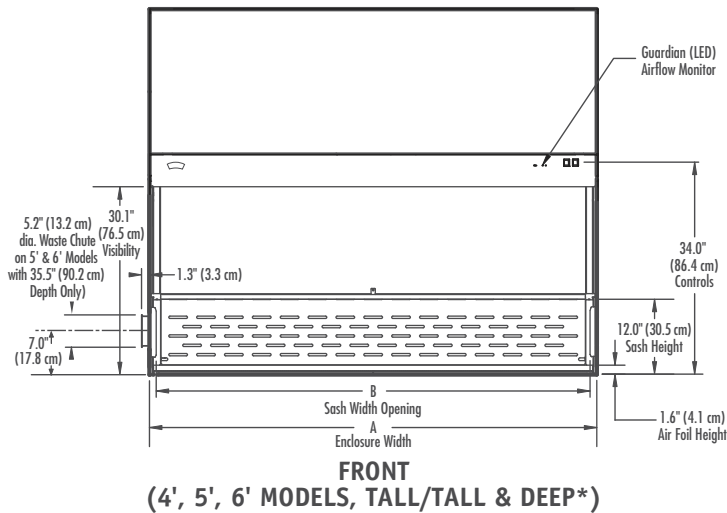
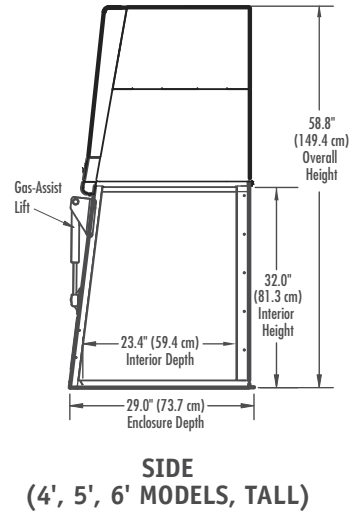
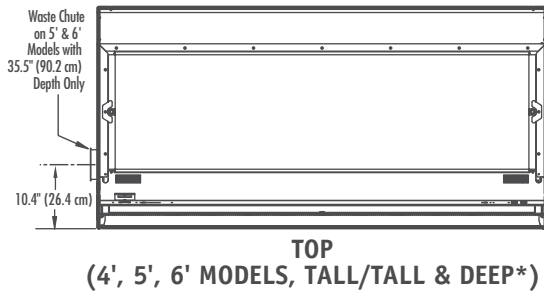
RXPert™ Double Filtered Balance Systems

DIMENSIONAL DATA

	2-Foot	3-Foot	4-Foot
A	24.0" (61.0 cm)	36.0" (91.4 cm)	48.0" (121.9 cm)
B	21.6" (54.9 cm)	33.6" (85.3 cm)	45.6" (115.8 cm)



	4-Foot (Tall)	4-Foot (Tall & Deep)	5-Foot	6-Foot
A	48.0" (121.9 cm)	48.0" (121.9 cm)	60.0" (152.4 cm)	72.0" (182.9 cm)
B	45.6" (115.8 cm)	45.6" (115.8 cm)	57.6" (146.3 cm)	69.6" (176.8 cm)



*Waste Chute on 5' and 6' models only.



RXPert™ Single Filtered Balance Systems

FEATURES & BENEFITS

Patented* RXPert Single Filtered Balance Systems are Class I biological safety cabinets that meet the USP <800>+ requirements for non-sterile hazardous compounding. They provide user protection

by keeping powders and particulates contained during hazardous drug manipulation. These powder hoods include a canopy and damper for thimble ducting the enclosure to the outside.

True bag-in/bag-out HEPA filter disposal system allows for safe filter replacement.

Space-saving design. Impeller and HEPA filter are contained within the enclosure's upper plenum for a smaller overall footprint than a separate enclosure and exhauster can offer.

Built-in impeller has vibration-isolation supports to minimize disturbance to sensitive balances.

Quiet operation as low as 48 decibels.

Optimal HEPA filter location permits leak-detection scan of entire surface.

Built-in airflow monitor alerts the user to face velocities outside of preset range.

Front-mounted pressure gauge helps determine HEPA filter loading.

Static-dissipative powder-coated aluminum frame and steel rear plenum and baffle. No unreliable plastic-to-plastic bonding is used.

Tempered safety glass provides better fire, scratch and chemical resistance than acrylic and dissipates static charge.

Upper dilution air supply sweeps clean air to the back of sash to keep contaminants away from the operator.

Side-entry air foils allow air to sweep interior surfaces to enhance containment.

Ergonomic angled sash for comfortable viewing.

Two utility ports with iris openings allow passage of tubing, electrical cords and cables from inside to back exterior for connection to services.

Upper containment sash foil directs contaminants away from the user's breathing zone.

Canopy connection comes factory installed and manual damper is included. These components allow the enclosure to be thimble ducted to the outside. Ductwork and remote blower are sold separately.

Work surface, on some models, is included. Select the model that fits your application and installation. On some models, a solid epoxy dished work surface is included. Other models include a Type 304 stainless steel work surface. Models without a work surface are also offered.

Patented rear baffle** with zones of perforations promotes horizontal laminar airflow. The baffle pivots down for cleaning.

Intrinsically safe. The positive pressure impeller is surrounded by a negative pressure plenum so that if a leak should develop, the unfiltered air is captured and filtered.

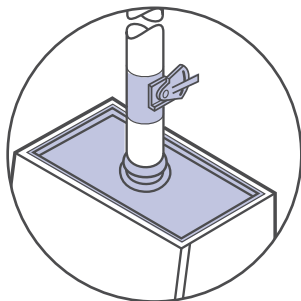
Two interior heights available. Enclosures, 2' and 3' wide, are offered with 22.7" interior height. Enclosures 5' and 6' wide, are offered with 32.0" interior height. Enclosures, 4' wide, are available in either height.



Exclusive feature

*U.S. Design Patent D,538,941
+ U.S. Pharmacopoeial Convention standard
++ U.S. Patent 6,461,233

Deep interior easily accommodates large analytical balances. Two interior depths are offered, depending on the model. Enclosures, 2' and 3' wide, are 23.4" deep. Enclosures, 4', 5' and 6' wide, are available with interior depth of 23.4" or 30.0".

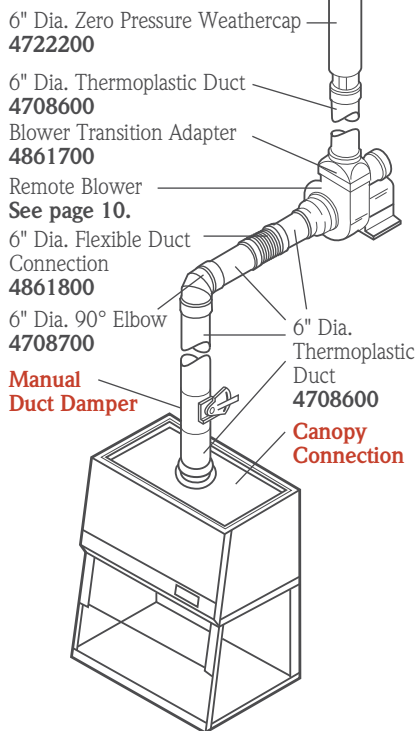




RXPert™ Single Filtered Balance Systems

SPECIFICATIONS

Typical 2', 3' and 4' RXPert Exhaust System



5' and 6' RXPert Systems use 10" diameter ductwork (not shown). Ductwork components noted in **red bold** are included with each RXPert Single Filtered Balance System.

All models feature:

- Patented* design.
- Deep interior of 23.4" or 30.0" depending on the model.
- Ergonomic air foil with aerodynamic Clean-Sweep+ airflow openings.
- Upper dilution air supply.
- Upper containment sash foil.
- Zone-perforated, pivoting rear baffle.†
- Side-entry air foils.
 - Exhaust HEPA filter, 99.99% efficient on particles 0.3 micron in size.
- True bag-in/bag-out filter disposal system (requires certified technician).
 - Built-in blower with dynamically-balanced, vibration-isolated motorized impeller and speed control. Blower has a 40% reserve so that the speed may be adjusted as needed by a certified technician as the filter loads.
- Intrinsically safe, negative pressure design.



- Pressure gauge.
- Space-saving design. No separate filtered exhauster is required.
- Two utility ports with iris openings.
- Quiet operation (see chart below).
- Glacier white and gray powder-coated aluminum frame and steel rear plenum and baffle. No unreliable plastic-to-plastic bonding is used.
- Guardian Airflow Monitor that continuously monitors airflow with a green LED that glows when airflow is within set point range and a red LED that glows and an audible alarm that sounds when airflow is outside set point range.
- Pre-wired fluorescent lamp and switches for blower and light.
- 1/4" thick tempered safety glass front sash and sides.
- Ergonomic angled and hinged, pivoting sash with wiping seal.
- 9.4" (23.9 cm) sash opening height with 16.5" (41.9 cm) locking height and 19.0" (48.3 cm) maximum loading height.
- Two utility ports for pass-through of electrical cords.
- 8' cord included.
- Canopy Connection, factory-installed, powder-coated steel.
- Manual Duct Damper, powder-coated steel.
- ETL listing.
- Particulate containment independently verified by SafeBridge Consultants, Inc.

- Validation package available containing balance stability, powder containment and modified ASHRAE 110 Test Reports.

All models conform to the following regulations and standards:

- USP <800> non-sterile compounding**
- SEFA 1
- Modified ASHRAE 110
- ANSI Z9.5
- UL 61010-1
- CAN/CSA C22.2 No. 61010.1
- CE Conformity Marking (230V models)

5' and 6' models with 35.5" exterior depth include:

- Left-side mounted waste chute. Bags not included. Minimum bag size required: 10" x 16". See page 10.

Models with stainless steel work surface also include:

- Type 304 stainless steel work surface with front spill trough.

Models with epoxy work surface also include:

- Solid epoxy dished work surface.

All models require:††

- Remote blower. See page 10.
- Ductwork. Contact Labconco.
- Supporting base. See back cover.

Exclusive feature

*U.S. Design Patent D538,941 †U.S. Patent 6,461,233
 ** U.S. Pharmacopeial Convention standard
 †† Models without work surface also require a work surface. Contact Labconco for ordering information on work surfaces.

Nominal Width/Duct	Sash Opening Ht.	Total Exhaust CFM [^]		
		100 fpm	80 fpm	60 fpm
2 Feet/6" dia.	9.4"	181	144	106
3 Feet/6" dia.	9.4"	275	219	163
4 Feet/6" dia.	9.4"	369	294	219
4 Feet (Tall)/6" dia. ^{^^}	12.0"	475	381	288
5 Feet/10" dia.	12.0"	600	481	363
6 Feet/10" dia.	12.0"	725	581	438

[^]Total Exhaust CFM includes makeup air for dilution through the thimble/canopy connection.

^{^^}Same for 4' Tall and Deep models.



RXPert™ Single Filtered Balance Systems

ORDERING INFORMATION

RXPert™ Single Filtered Balance Systems						
Nominal Width	Catalog Number	Overall Dimensions*	Interior Dimensions	Electrical Requirements	Work Surface	Shipping Weight lbs./kg
2'	3971200	24.0" w x 29.0" d x 41.2" h	21.6" w x 23.4" d x 22.7" h	100-115 volts, 60 Hz	Not Included	205/93
2'	3971201	24.0" w x 29.0" d x 41.2" h	21.6" w x 23.4" d x 22.7" h	100-115 volts, 60 Hz	Stainless Steel	245/111
2'	3971202	24.0" w x 29.0" d x 41.2" h	21.6" w x 23.4" d x 22.7" h	100-115 volts, 60 Hz	Solid Epoxy	255/116
2'	3971220	24.0" w x 29.0" d x 41.2" h	21.6" w x 23.4" d x 22.7" h	230 volts, 50/60 Hz	Not Included	205/93
3'	3971300	36.0" w x 29.0" d x 41.2" h	33.6" w x 23.4" d x 22.7" h	100-115 volts, 60 Hz	Not Included	258/117
3'	3971301	36.0" w x 29.0" d x 41.2" h	33.6" w x 23.4" d x 22.7" h	100-115 volts, 60 Hz	Stainless Steel	318/144
3'	3971302	36.0" w x 29.0" d x 41.2" h	33.6" w x 23.4" d x 22.7" h	100-115 volts, 60 Hz	Solid Epoxy	333/151
3'	3971320	36.0" w x 29.0" d x 41.2" h	33.6" w x 23.4" d x 22.7" h	230 volts, 50/60 Hz	Not Included	258/117
4'	3971400	48.0" w x 29.0" d x 41.2" h	45.6" w x 23.4" d x 22.7" h	100-115 volts, 60 Hz	Not Included	311/141
4'	3971401	48.0" w x 29.0" d x 41.2" h	45.6" w x 23.4" d x 22.7" h	100-115 volts, 60 Hz	Stainless Steel	391/177
4'	3971402	48.0" w x 29.0" d x 41.2" h	45.6" w x 23.4" d x 22.7" h	100-115 volts, 60 Hz	Solid Epoxy	411/186
4'	3971420	48.0" w x 29.0" d x 41.2" h	45.6" w x 23.4" d x 22.7" h	230 volts, 50/60 Hz	Not Included	311/141
4'	3971475	48.0" w x 29.0" d x 50.4" h	45.6" w x 23.4" d x 32.0" h	100-115 volts, 60 Hz	Not Included	285/129
4'	3971476	48.0" w x 29.0" d x 50.4" h	45.6" w x 23.4" d x 32.0" h	100-115 volts, 60 Hz	Stainless Steel	385/175
4'	3971477	48.0" w x 29.0" d x 50.4" h	45.6" w x 23.4" d x 32.0" h	100-115 volts, 60 Hz	Solid Epoxy	425/193
4'	3971478	48.0" w x 29.0" d x 50.4" h	45.6" w x 23.4" d x 32.0" h	230 volts, 50/60 Hz	Not Included	285/129
4'	3971495	48.0" w x 35.5" d x 50.4" h	45.6" w x 30.0" d x 32.0" h	100-115 volts, 60 Hz	Not Included	315/143
4'	3971496	48.0" w x 35.5" d x 50.4" h	45.6" w x 30.0" d x 32.0" h	100-115 volts, 60 Hz	Stainless Steel	415/188
4'	3971497	48.0" w x 35.5" d x 50.4" h	45.6" w x 30.0" d x 32.0" h	100-115 volts, 60 Hz	Solid Epoxy	455/206
4'	3971498	48.0" w x 35.5" d x 50.4" h	45.6" w x 30.0" d x 32.0" h	230 volts, 50/60 Hz	Not Included	315/143
5'	3971575	60.0" w x 29.0" d x 50.4" h	57.6" w x 23.4" d x 32.0" h	100-115 volts, 60 Hz	Not Included	500/227
5'	3971576	60.0" w x 29.0" d x 50.4" h	57.6" w x 23.4" d x 32.0" h	100-115 volts, 60 Hz	Stainless Steel	565/256
5'	3971577	60.0" w x 29.0" d x 50.4" h	57.6" w x 23.4" d x 32.0" h	100-115 volts, 60 Hz	Solid Epoxy	605/274
5'	3971578	60.0" w x 29.0" d x 50.4" h	57.6" w x 23.4" d x 32.0" h	230 volts, 50/60 Hz	Not Included	500/227
5'	3971595	60.0" w x 35.5" d x 50.4" h	57.6" w x 30.0" d x 32.0" h	100-115 volts, 60 Hz	Not Included	565/256
5'	3971596	60.0" w x 35.5" d x 50.4" h	57.6" w x 30.0" d x 32.0" h	100-115 volts, 60 Hz	Stainless Steel	630/286
5'	3971597	60.0" w x 35.5" d x 50.4" h	57.6" w x 30.0" d x 32.0" h	100-115 volts, 60 Hz	Solid Epoxy	670/304
5'	3971598	60.0" w x 35.5" d x 50.4" h	57.6" w x 30.0" d x 32.0" h	230 volts, 50/60 Hz	Not Included	565/256
6'	3971675	72.0" w x 29.0" d x 50.4" h	69.6" w x 23.4" d x 32.0" h	100-115 volts, 60 Hz	Not Included	600/272
6'	3971676	72.0" w x 29.0" d x 50.4" h	69.6" w x 23.4" d x 32.0" h	100-115 volts, 60 Hz	Stainless Steel	665/302
6'	3971677	72.0" w x 29.0" d x 50.4" h	69.6" w x 23.4" d x 32.0" h	100-115 volts, 60 Hz	Solid Epoxy	705/320
6'	3971678	72.0" w x 29.0" d x 50.4" h	69.6" w x 23.4" d x 32.0" h	230 volts, 50/60 Hz	Not Included	600/272
6'	3971695	72.0" w x 35.5" d x 50.4" h	69.6" w x 30.0" d x 32.0" h	100-115 volts, 60 Hz	Not Included	640/290
6'	3971696	72.0" w x 35.5" d x 50.4" h	69.6" w x 30.0" d x 32.0" h	100-115 volts, 60 Hz	Stainless Steel	705/320
6'	3971697	72.0" w x 35.5" d x 50.4" h	69.6" w x 30.0" d x 32.0" h	100-115 volts, 60 Hz	Solid Epoxy	745/338
6'	3971698	72.0" w x 35.5" d x 50.4" h	69.6" w x 30.0" d x 32.0" h	230 volts, 50/60 Hz	Not Included	640/290

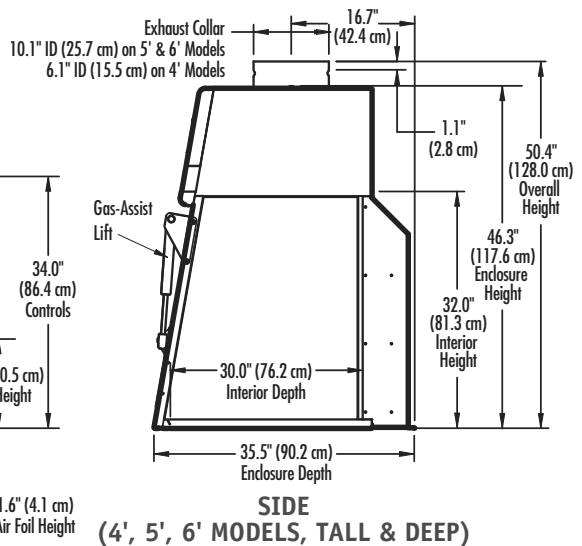
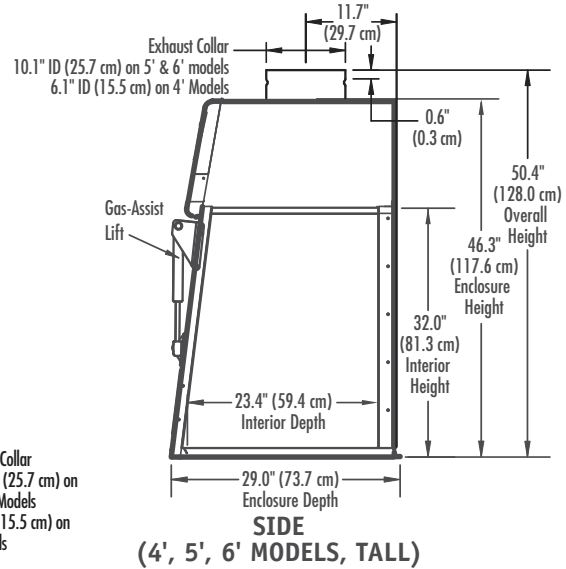
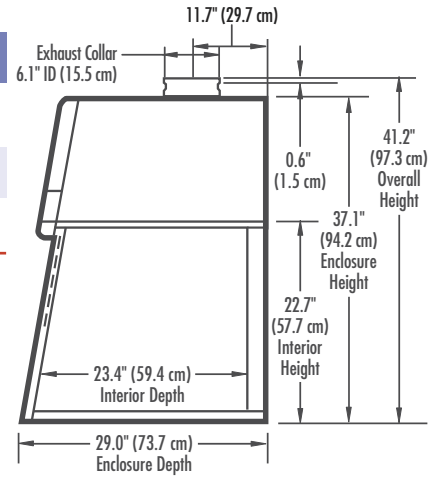
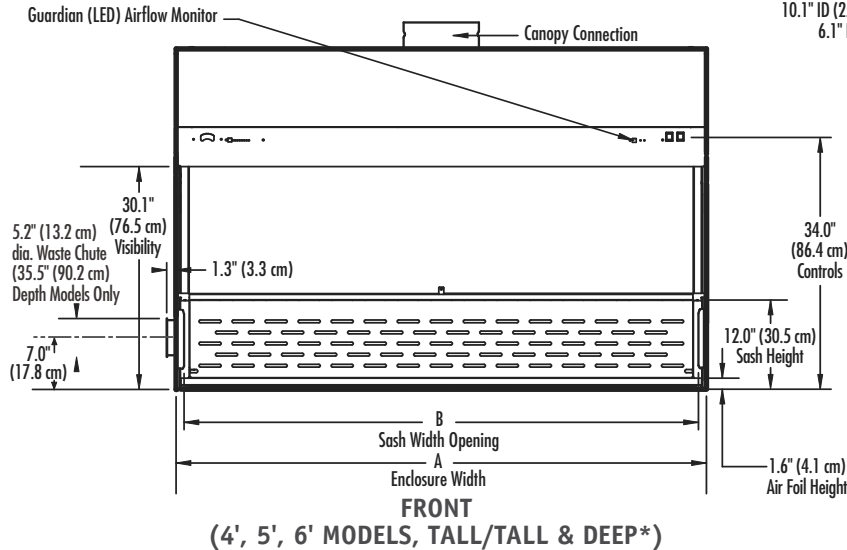
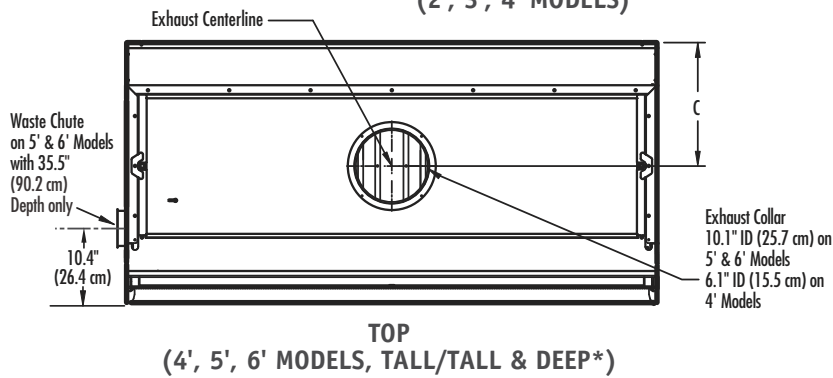
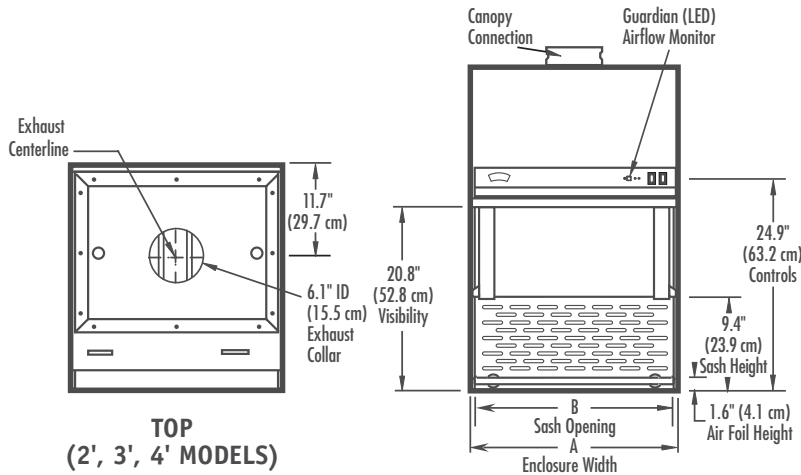
*Overall dimensions do not include canopy connection and work surface, where applicable.



RXPert™ Single Filtered Balance Systems

DIMENSIONAL DATA

	2-Foot	3-Foot	4-Foot	4-Foot (Tall)	4-Foot (Tall & Deep)	5-Foot (Tall)	5-Foot (Tall & Deep)	6-Foot (Tall)	6-Foot (Tall & Deep)
A	24.0" (61.0 cm)	36.0" (91.4 cm)	48.0" (121.9 cm)	48.0" (121.9 cm)	48.0" (121.9 cm)	60.0" (152.4 cm)	60.0" (152.4 cm)	72.0" (182.9 cm)	72.0" (182.9 cm)
B	21.6" (54.9 cm)	33.6" (85.3 cm)	45.6" (115.8 cm)	45.6" (115.8 cm)	45.6" (115.8 cm)	57.6" (146.3 cm)	57.6" (146.3 cm)	69.6" (176.8 cm)	69.6" (176.8 cm)
C	—	—	—	11.7" (29.7 cm)	16.7" (42.4 cm)	11.7" (29.7 cm)	16.7" (42.4 cm)	11.7" (29.7 cm)	16.7" (42.4 cm)



*Waste Chute on 5' and 6' models only.



RXPert™ Filtered Balance Systems

ACCESSORIES



Remote Blowers

Recommended when thimble ducting the RXPert System. TEFC-type direct drive motor blower. Corrosion-resistant phenolic-coated steel housing and impeller. Blower inlet is sized to accept 6" nominal diameter PVC duct. Blower outlet is 4.3" x 7.4" OD. Dimensions: 14.6" w x 13.5" d x 13.3" high. For operation on 115 volts, 60 Hz, 4.4 amps. A damper is recommended.*

Catalog #	HP	Shipping Wt.
4863500	1/4	35 lbs. (16 kg)
7053501**	1/4	40 lbs. (18 kg)

CFM @ Static Pressure—Inches of H ₂ O						
S.P.	0.0"	0.125"	0.25"	0.50"	0.75"	0.87"
CFM	595	560	515	420	300	167



Remote Blowers

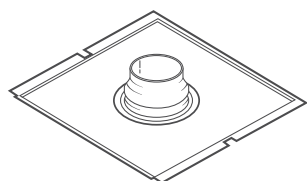
Recommended when thimble ducting the RXPert System. Belt drive motor blower. Corrosion-resistant phenolic-coated steel housing and impeller. Powder-coated steel base and weather cover. Blower inlet is sized to accept 10" nominal diameter PVC duct. Blower outlet is 5.5" x 10.0" OD. Dimensions: 16.1" w x 23.9" d x 22.6" high (40.9 x 60.7 x 57.4 cm). A damper is recommended.*

Catalog #	HP	Electrical Requirements	Shipping Wt. lbs./kg
7068200	1/4	115 volts, 60 Hz, 4.4 amps	92/42
7068300**	1/4	115 volts, 60 Hz, 4.5 amps	100/45
7068400	1/3	115 volts, 60 Hz, 6.1 amps	86/39
7068500**	1/3	115 volts, 60 Hz, 6.4 amps	94/43

* Contact Labconco for ordering information on dampers and additional blower options including multi-speed blowers.

** Explosion-proof

CFM @ Static Pressure—Inches of H ₂ O								
	S.P.	0.25"	0.38"	0.50"	0.62"	0.75"	0.88"	1.00"
7068200, 7068300	CFM	540-720	410-760	350-710	390-620	430	—	—
7068400, 7068500	CFM	—	760-850	710-825	620-790	430-770	460-740	500-640



† When sizing a blower for thimble-ducted RXPert Double Filtered Systems, add 25% to the total air volume exhausted to allow for air entering around the canopy gap. Contact Labconco for ordering information on ductwork components.

Canopy Connections for RXPert Double Filtered Balance Systems

Allow thimble ducting to the outside for additional protection. The canopy's air gap provides a means of balancing air by allowing room air to enter the ductwork and mix with the filtered air being exhausted from the RXPert. Powder-coated steel. **House exhaust or remote blower is required (not included).†**

Catalog #	Description	For use with width:	Shipping Wt. lbs./kg
3924410	Canopy Connection, 6.1" ID, 6.2" OD	2-Ft	15/7
3924411	Canopy Connection, 6.1" ID, 6.2" OD	3-Ft	18/8
3924412	Canopy Connection, 6.1" ID, 6.2" OD	4-Ft	21/10
3924413	Canopy Connection, 10.1" ID, 10.3" OD	5-Ft	25/11
3924414	Canopy Connection, 10.1" ID, 10.3" OD	6-Ft	30/14



5248300 Waste Chute Stopper

For use with 5' and 6' RXPert Systems with 35.5" depth. When waste chute is not in use, the stopper helps prevent contaminants from escaping from the enclosure through the side wall. Solid rubber. 5" diameter. Shipping weight 1 lb. (0.5 kg)



5234600P Balance Vibration Isolator

Minimizes vibration to sensitive balances placed atop. Includes a 13.4" w x 20.4" d x 2.7" thick (34.0 x 51.8 x 6.9 cm) marble slab, four isolator pads and a type 304 stainless steel protective cover. Shipping weight 75 lbs. (34 kg)

3534500 Waste Chute Bags

Replacement bags for 5' and 6' RXPert Systems. Bags are 0.004" (4 mm) thick clear plastic and 10" w x 16" long (25.4 x 40.6 cm). Package of 100. Shipping weight 5 lbs. (2.3 kg)



RXPert™ Filtered Balance Systems

ACCESSORIES



Replacement HEPA and ULPA Filters and Accessories*

The existing HEPA Filter(s) installed in the RXPert Filtered Balance System may be replaced by HEPA or ULPA Filter(s). Contact Labconco for ordering information on factory-installed ULPA Filter in place of the HEPA Filter and Prefilter Kits for nuisance odors.

Catalog #	Description	For use with RXPert width:	Shipping Weight lbs./kg
3707900	Replacement HEPA Filter, 99.99% efficient on particles 0.3 micron in size 18.0" w x 18.0" d x 3.3" h (45.7 x 45.7 x 8.4 cm)	2-Ft	39/18
3707901	Replacement HEPA Filter, 99.99% efficient on particles 0.3 micron in size 30.0" w x 18.0" d x 3.3" h (76.2 x 45.7 x 8.4 cm)	3-Ft 6-Ft (2 required)	51/23
3707902	Replacement HEPA Filter, 99.99% efficient on particles 0.3 micron in size 42.0" w x 18.0" d x 3.3" h (106.7 x 45.7 x 8.4 cm)	4-Ft	66/30
3707903	Replacement HEPA Filter, 99.99% efficient on particles 0.3 micron in size 24.0" w x 18.0" d x 3.3" h (61.0 x 45.7 x 8.4 cm)	5-Ft (2 required)	35/16
3885700	ULPA Filter, 99.999% efficient on particles 0.12 micron in size 18.0" w x 18.0" d x 3.3" h (45.7 x 45.7 x 8.4 cm)	2-Ft	39/18
3885701	ULPA Filter, 99.999% efficient on particles 0.12 micron in size 30.0" w x 18.0" d x 3.3" h (76.2 x 45.7 x 8.4 cm)	3-Ft 6-Ft (2 required)	51/23
3885702	ULPA Filter, 99.999% efficient on particles 0.12 micron in size, 42.0" w x 18.0" d x 3.3" h (106.7 x 45.7 x 8.4 cm)	4-Ft	66/30
3885703	ULPA Filter, 99.999% efficient on particles 0.12 micron in size, 24.0" w x 18.0" d x 3.3" h (61.0 x 45.7 x 8.4 cm)	5-Ft (2 required)	35/16
3776023	Replacement Bag for Bag-in/Bag-out, HEPA Filter, 48" circumference x 54" long (121.9 x 137.2 cm)	2-Ft	4/2
3776024	Replacement Bag for Bag-in/Bag-out, HEPA Filter, 73" circumference x 96" long (185.4 x 243.8 cm)	3-Ft 6-Ft (2 required)	4/2
3776025	Replacement Bag for Bag-in/Bag-out, HEPA Filter, 96" circumference x 96" long (243.8 x 243.8 cm)	4-Ft	4/2
3776026	Replacement Bag for Bag-in/Bag-out, HEPA Filter, 60" circumference x 72" long (152.4 x 182.9 cm)	5-Ft (2 required)	10/5

* HEPA and ULPA filter removal and replacement should only be performed by a certified technician.



Solid Epoxy Work Surfaces

Black chemical-resistant work surfaces are dished to contain spills and contoured to fit the dimensions of RXPert Filtered Balance Systems. Available in 2', 3', 4', 5' and 6' widths.

Catalog #	Nominal Width	For use with:	Dimensions	Shipping Wt. lbs./kg
3909900	2'	29.0" deep RXPert Systems	24.0" w x 29.0" d x 1.0" thick (61.0 x 73.7 x 2.5 cm)	50/23
3909901	3'	29.0" deep RXPert Systems	36.0" w x 29.0" d x 1.0" thick (91.4 x 73.7 x 2.5 cm)	75/34
3909902	4'	29.0" deep RXPert Systems	48.0" w x 29.0" d x 1.0" thick (121.9 x 73.7 x 2.5 cm)	100/45
3909906	4'	35.5" deep RXPert Systems	48.0" w x 35.5" d x 1.0" thick (121.9 x 90.2 x 2.5 cm)	125/57
3909907	5'	29.0" deep RXPert Systems	60.0" w x 29.0" d x 1.0" thick (152.4 x 73.7 x 2.5 cm)	125/57
3909908	5'	35.5" deep RXPert Systems	60.0" w x 35.5" d x 1.0" thick (152.4 x 90.2 x 2.5 cm)	155/70
3909910	6'	29.0" deep RXPert Systems	72.0" w x 29.0" d x 1.0" thick (182.9 x 73.7 x 2.5 cm)	150/68
3909911	6'	35.5" deep RXPert Systems	72.0" w x 35.5" d x 1.0" thick (182.9 x 90.2 x 2.5 cm)	186/84

Contact Labconco for ordering information for Stainless Steel Work Surfaces.



RXPert™ Filtered Balance Systems

ACCESSORIES

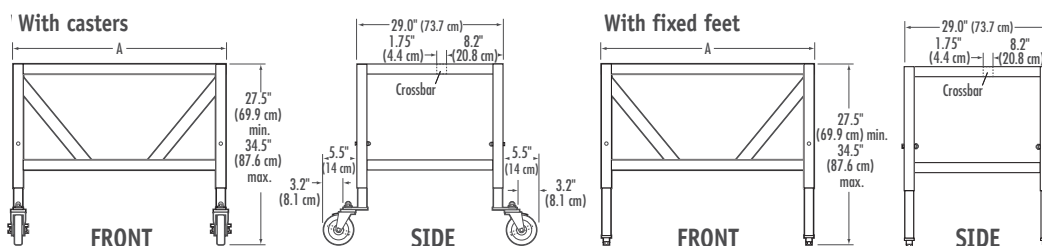


Telescoping Base Stands

Support the RXPert Filtered Balance Systems. Durable 1.75" tubular, powder-coated steel frame. Rear crossbar supports on 3' and wider models. Telescoping legs are adjustable to eight height positions in 1" increments from 27.5" to 34.5". Include four fixed leveling feet or 5" diameter toe-locking, non-marking polyurethane casters with bearings. Hold loads to 4000 pounds.

Ordering Information

Catalog #	Overall Width (A)	Description	Shipping Wt. lbs./kg
3746700	24.0"	with fixed feet	100/45
3746710	24.0"	with casters	100/45
3746701	36.0"	with fixed feet	110/50
3746711	36.0"	with casters	110/50
3746702	48.0"	with fixed feet	115/52
3746712	48.0"	with casters	115/52
3746703	60.0"	with fixed feet	120/54
3746713	60.0"	with casters	120/54
3746704	72.0"	with fixed feet	125/57
3746714	72.0"	with casters	125/57



Double HEPA Filtration Kits

For field-installation atop XPert Balance Filtered Systems and XPert Bulk Powder Filtered Systems. Provide a second level of HEPA Filtration to meet USP <800> standard for redundant HEPA Filter in series. Each Kit includes one HEPA Filter, set of bag and straps for bag-in/bag-out system, complete metal support system, as well as certifier installation instructions. Kit adds 12.9" inches to height of an existing System. Contact Labconco for optional Canopy Connection for use with this Kit.

Catalog #	For use with:	Shipping Wt. lbs./kg
3966102	2-Ft XPert Filtered Balance Systems	115/52
3966103	3-Ft XPert Filtered Balance Systems	135/61
3966104	4-Ft XPert Filtered Balance Systems	165/75
3966105	5-Ft XPert Filtered Balance Systems & 5-Ft XPert Bulk Powder Filtered Systems	250/113
3966106	6-Ft XPert Filtered Balance Systems & 6-Ft XPert Bulk Powder Filtered Systems	300/136

Visit www.labconco.com for ordering information on additional accessories.



LABCONCO CORPORATION • 8811 Prospect Avenue • Kansas City, MO 64132
800-821-5525 • 816-333-8811 • www.labconco.com

