

PURIFIER® FILTERED PCR ENCLOSURES

INTRODUCTION

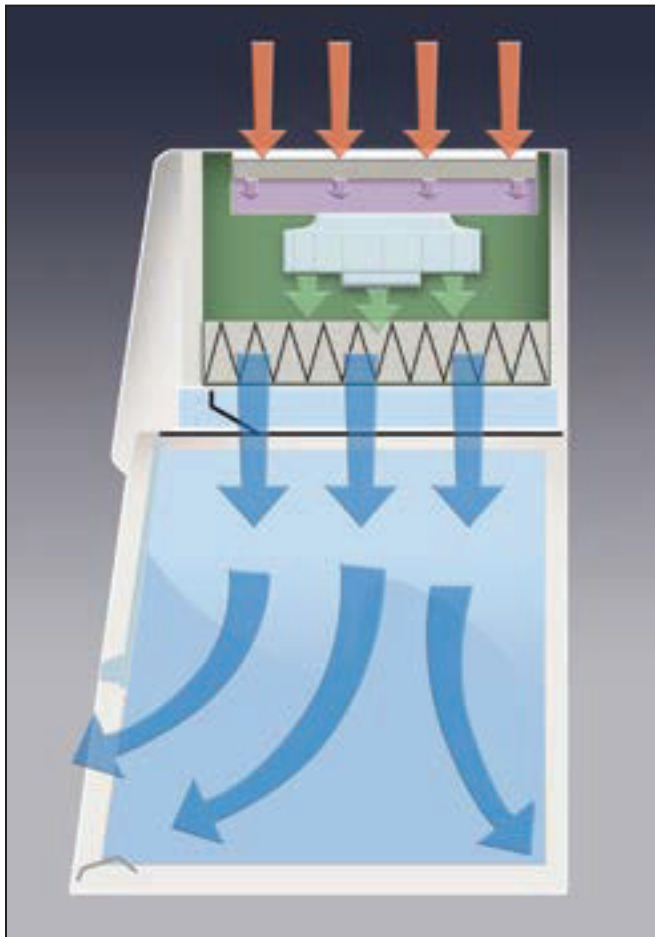
Purifier Filtered PCR Enclosures are vertical clean benches that protect your work. Available in 2', 3' and 4' widths, they provide a controlled environment in which to perform polymerase chain reaction experiments. ISO Class 5 air is constantly projected vertically down over the work area, minimizing the risk of cross contamination of samples.

Purifier Filtered PCR Enclosures do not provide protection to the user and should not be used in conjunction with biohazardous material, toxins or radionuclides. You and your safety officer must carefully assess risks associated with any operation performed in the PCR enclosure.

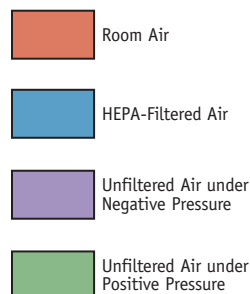
The variable digital timer provides UV light exposure continuously or in user-selected increments of 5, 10, 15, 30, 60, 120 or 240 minutes to deactivate DNA and RNA contaminants. When the timer expires, the UV light automatically switches off in preparation for the next experiment. An interlocked protection panel guards against inadvertent exposure to UV rays.



Purifier Filtered PCR Enclosure 3970305 on Solid Epoxy Dished Work Surface 3909901 and Telescoping Base Stand 3746711 with Ergonomic Chair 3744000 and Adjustable Footrest 3746000.



During operation, room air is drawn through a prefilter in the top of the cabinet to trap large particles. Then, the air flows through a 99.99% efficient HEPA filter and is projected vertically over the work area. This HEPA-filtered air prevents contaminants from entering the work area and provides a particulate-free work environment that minimizes cross contamination.



PURIFIER® FILTERED PCR ENCLOSURES

FEATURES & BENEFITS

Particulate-free ISO Class 5 air. Particle counts in the work area conform to ISO 14644-1 and 2, providing ISO Class 5 conditions (formerly Class 100 per Federal Standard 209E), ensuring fewer than 3520 particles 0.5 µm or larger per cubic meter of air.

Front-mounted differential pressure gauge indicates the total system pressure across the HEPA filter and pressurized plenum to help determine HEPA filter loading.

ETL listed. All 115 volt, 60 Hz models carry the ETL mark signifying that they are certified to UL Standard 3101-1/61010-1 and CAN/CSA C22.2 No. 1010.1.

CE mark. All 230 volt, 50 Hz models conform to the CE (European Community) requirements for electrical safety and electromagnetic compatibility.

Two convenient utility ports with iris openings allow passage of tubing and electrical cords from equipment inside the enclosure through the back for connection to services. Plugs are provided to seal the ports when not in use.

Ultraviolet lamp, 254 nm, with interlocked protection denatures stray DNA strands and provides secondary decontamination while the enclosure is not in use. Two top-mounted support hooks allow the protection panel to be stowed above the work area while the bench is in use.

HEPA filter is rated to remove 99.99% of all particles 0.3 micron in size. It is industry standard size for economical replacement.

Disposable prefilter traps large particles to extend the life of the HEPA filter.

Support hooks allow the UV protection panel to be stowed above the work area while the enclosure is in use.

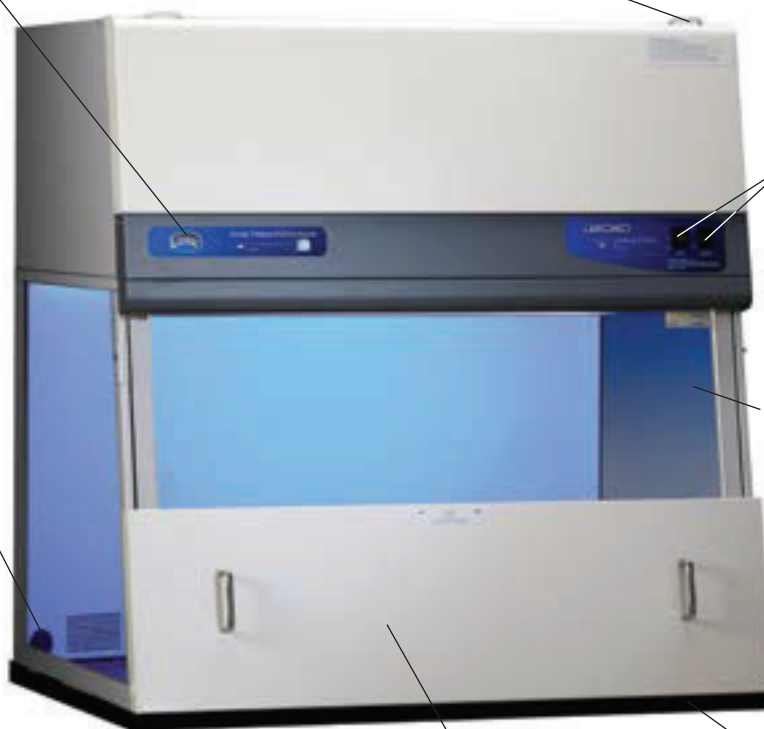
Air diffuser protects the HEPA filter from possible damage from direct contact with the operator and apparatus inside the enclosure. It distributes air evenly across the work area to optimize airflow.

Variable speed blower with solid state control may be accessed by a certified technician to validate and adjust downflow velocity.

Glare-free fluorescent lighting. The lamp is located above the work area, out of contact with the filtered air.

Light and blower switches are located within easy reach of the operator. The 3-way light switch powers the fluorescent and UV light, but only one at a time, helping to protect the operator from inadvertent UV exposure.

Tempered safety glass sash is sloped 10° for less glare and closer, more comfortable viewing than vertical sashes offer. The glass is UV opaque and resistant to UV irradiation. Wiping seals ensure ISO Class 5 conditions inside the enclosure. The sash has a spring-loaded latch so that it may be pivoted upward and locked open for loading and cleaning.



Protection panel interlocked with the UV lamp closes off the sash opening to guard against inadvertent UV light exposure and prevent contaminants from entering when the enclosure is not in use.

Accessory Solid Epoxy Dished Work Surface. See page 23 for ordering information.



Variable digital timer provides timed UV light exposure. From the front-mounted control panel, the operator may select from eight settings in minutes of 5, 10, 15, 30, 60, 120, 240 and continuous. When the UV light switch is activated, the previously selected time setting is automatically initiated or the user may select a different setting. An amber LED indicator blinks for the duration of the setting.

Optional built-in Guardian™ Airflow Monitor alerts the user to downflow velocities outside of preset range and HEPA filter conditions.



PURIFIER® FILTERED PCR ENCLOSURES

ORDERING INFORMATION

Standard Features

- Nominal downflow velocity of 40-55 fpm
- Supply HEPA filter, 99.99% efficient on particles 0.3 micron
- ISO Class 5 air (formerly Class 100 per Federal Standard 209E)
- Disposable prefilter
- Variable speed built-in blower with motorized impeller and solid state control rated for 5 amps
- Differential pressure gauge
- Air diffuser
- UV-resistant, glacier white and gray powder-coated aluminum and steel construction
- UV-opaque and resistant 1/4" thick tempered safety glass sash and sides
 - 9.4" high sash opening
 - Fluorescent lamp
 - 254 nm UV lamp
- Variable digital timer for UV exposure with eight settings in minutes of 5, 10, 15, 30, 60, 120, 240 and continuous
 - Blower and 3-way light (fluorescent, UV and off) switches
- Ergonomic 10° angled and hinged sash that pivots upward, locks to a loading height of 20" and has wiping seals to promote ISO Class 5 conditions
- Protection panel interlocked with UV lamp that closes the sash opening and two support hooks located atop the enclosure for stowing the panel
 - Two utility ports with iris openings and plugs
 - ETL listing, UL 3101-1/61010-1 and CAN/CSA C22.2 No. 1010.1 conformity (115 volt models)
 - CE Conformity Marking (230 volt models)
 - One year warranty on parts and labor



Purifier Filtered PCR Enclosure 3970305 on Solid Epoxy Dished Work Surface 3909901 and Telescoping Base Stand 3746711.

Standard Option

- Guardian Airflow Monitor that continuously monitors down-flow airflow and has two LED lights to indicate when airflow is within or outside set point range. Set point is factory calibrated for 25-35 fpm downflow velocity. The "Safe" green LED glows when airflow is within set point range. The "Alert" red LED glows and an audible alarm sounds when airflow is outside set point range. The audible alarm may be muted by pressing the "Silence Alarm" switch.

Required Accessories

- Supporting work surface. Place on existing casework or see page 23.
- Supporting base. Place on existing casework or see pages 28-31.

See page 23 for dimensional drawings.

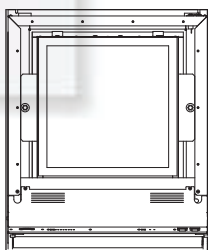
Catalog #	Nominal Width	Electrical Requirements	UV Lamp/Timer/Protection Panel	Airflow Monitor	Power Cord & Plug	Shipping Weight
3970202	2 feet	115 volts, 50/60 Hz, 5 amps	•		115 volts, 15 amps	165 lbs. (75 kg)
3970205	2 feet	115 volts, 50/60 Hz, 5 amps	•	•	115 volts, 15 amps	165 lbs. (75 kg)
3970222*	2 feet	230 volts, 50/60 Hz, 3 amps	•		230 volts, 10 amps, no plug	165 lbs. (75 kg)
3970225*	2 feet	230 volts, 50/60 Hz, 3 amps	•	•	230 volts, 10 amps, no plug	165 lbs. (75 kg)
3970302	3 feet	115 volts, 50/60 Hz, 5 amps	•		115 volts, 15 amps	205 lbs. (93 kg)
3970305	3 feet	115 volts, 50/60 Hz, 5 amps	•	•	115 volts, 15 amps	205 lbs. (93 kg)
3970322*	3 feet	230 volts, 50/60 Hz, 3 amps	•		230 volts, 10 amps, no plug	205 lbs. (93 kg)
3970325*	3 feet	230 volts, 50/60 Hz, 3 amps	•	•	230 volts, 10 amps, no plug	205 lbs. (93 kg)
3970402	4 feet	115 volts, 50/60 Hz, 5 amps	•		115 volts, 15 amps	245 lbs. (111 kg)
3970405	4 feet	115 volts, 50/60 Hz, 5 amps	•	•	115 volts, 15 amps	245 lbs. (111 kg)
3970422*	4 feet	230 volts, 50/60 Hz, 3 amps	•		230 volts, 10 amps, no plug	245 lbs. (111 kg)
3970425*	4 feet	230 volts, 50/60 Hz, 3 amps	•	•	230 volts, 10 amps, no plug	245 lbs. (111 kg)

■ Exclusive feature

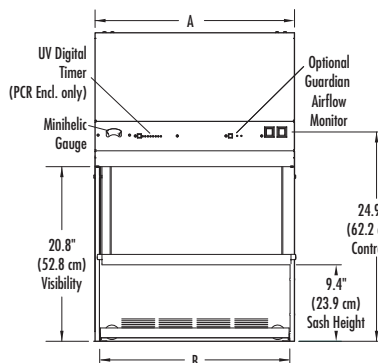
*International electrical configuration

PURIFIER® VERTICAL CLEAN BENCHES & FILTERED PCR ENCLOSURES

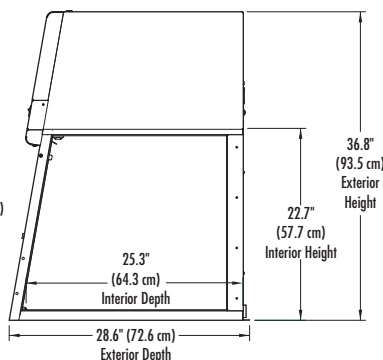
D I M E N S I O N S & A C C E S S O R I E S



TOP



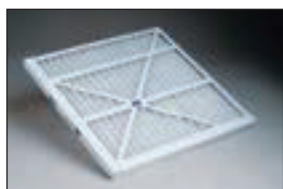
FRONT



SIDE

Purifier Vertical Clean Benches & Filtered PCR Enclosures

	2-Foot	3-Foot	4-Foot
A	24.0" (61.0 cm)	36.0" (91.4 cm)	48.0" (121.9 cm)
B	22.8" (57.9 cm)	34.8" (88.4 cm)	46.8" (118.9 cm)



Replacement Disposable Prefilters

Corrugated paper prefilters trap large particles to extend HEPA filter life. Labconco recommends replacing the prefilter every three months. One each.

Catalog #	For use with	Shipping Weight
3935700	2-Ft Vertical Clean Bench	1.0 lb. (0.5 kg)
3935701	3-Ft Vertical Clean Bench	1.0 lb. (0.5 kg)
3935702	4-Ft Vertical Clean Bench	1.0 lb. (0.5 kg)



IV Bars

Support intravenous solution bottles and bags. Include IV bar, mounting hardware, four hangers and installation instructions.

Catalog #	For use with	Shipping Weight
3721000	2-Ft Vertical Clean Bench	4.0 lbs. (1.8 kg)
3721001	3-Ft Vertical Clean Bench	6.0 lbs. (2.7 kg)
3721002	4-Ft Vertical Clean Bench	8.0 lbs. (3.6 kg)



Base Stands

Powder-coated steel. Telescoping Base Stands adjust in 1" increments to provide a working height from 30" to 36" and are available with fixed feet or casters. Electric and Manual Hydraulic Lift Base Stands have

infinite height adjustment using a push button or hand crank. See pages 28-31 for more information.



Solid Epoxy Dished Work Surfaces

Black chemical-resistant work surface is contoured to fit the dimensions of the Purifier Vertical Clean Benches and Filtered PCR Enclosures and to contain spills.

Catalog #	For use with	Dimensions	Shipping Weight
3909900	2-Ft Purifier Enclosure	24.0" w x 29.0" d x 1.0" h (61 cm x 73.7 cm x 2.5 cm)	50.0 lbs. (23 kg)
3909901	3-Ft Purifier Enclosure	36.0" w x 29.0" d x 1.0" h (91.4 cm x 73.7 cm x 2.5 cm)	75.0 lbs. (34 kg)
3909902	4-Ft Purifier Enclosure	48.0" w x 29.0" d x 1.0" h (122 cm x 73.7 cm x 2.5 cm)	100.0 lbs. (45 kg)



3744000 Ergonomic Chair with Armrests

Chair has 6-way articulating seat and back control for personalized adjustment. Pneumatic mechanism adjusts seat height from 18.25" to 25.75". Shipping weight 43.0 lbs. (19.5 kg). See page 27 for more information. **⚠WARNING:** Cancer - P65Warnings.ca.gov (California only)



3746000 Adjustable Footrest

Elevates feet and permits angle repositioning while in use. 18.5" w x 11.5" d x 8" high. Shipping weight 6.0 lbs. (2.7 kg)

Please contact Labconco for ordering information on stainless steel work surfaces.