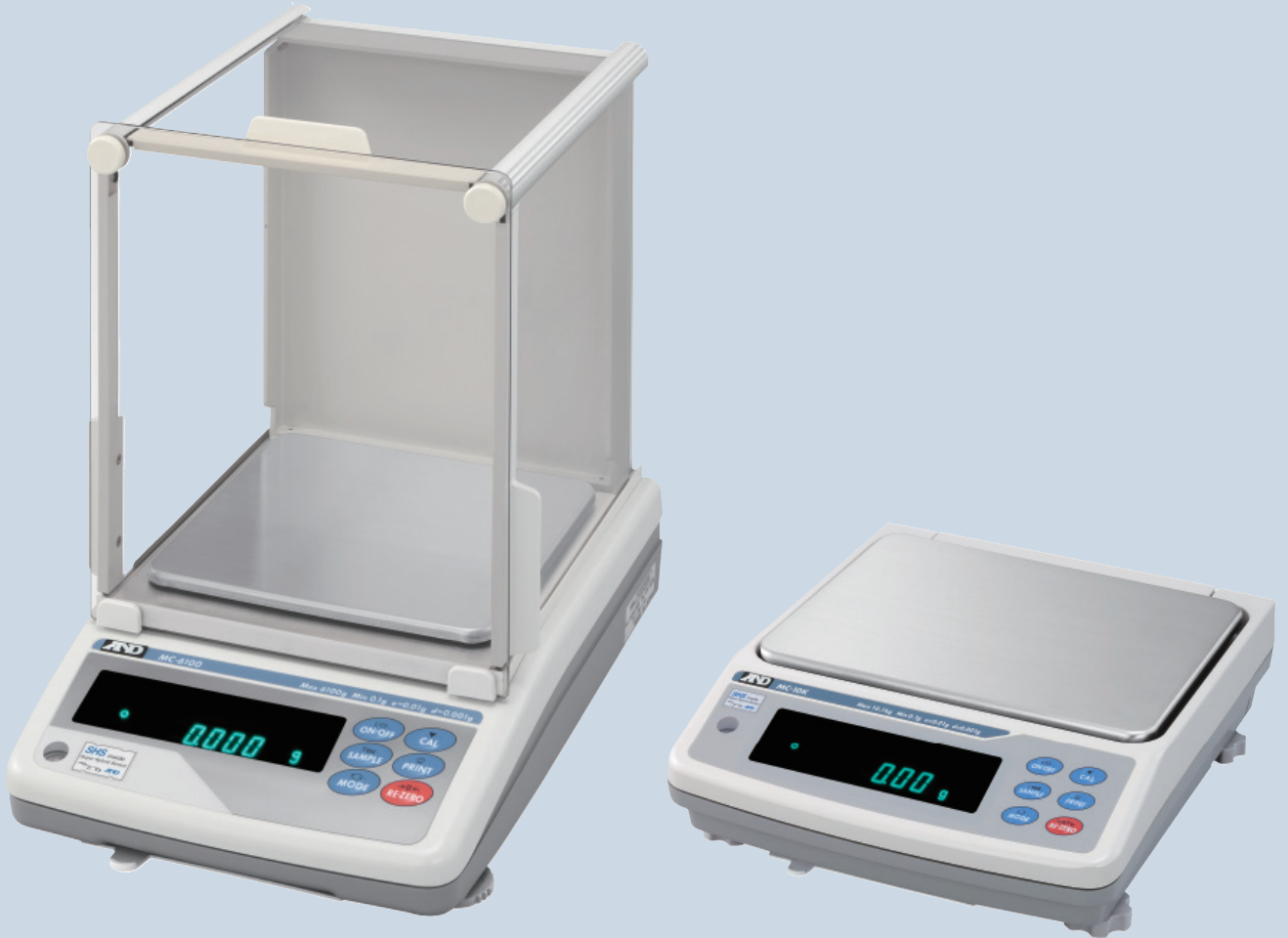


WEIGHING  
A&D

# MASS COMPARATORS



**MC** SERIES

**Labquip**

170 Shields Court, Unit 2  
Westham, ON L3B 6T5  
Tel: (905) 475-4330 ext. 200  
Fax: (905) 475-1120

**A&D**

A&D Weighing

...Clearly a Better Value

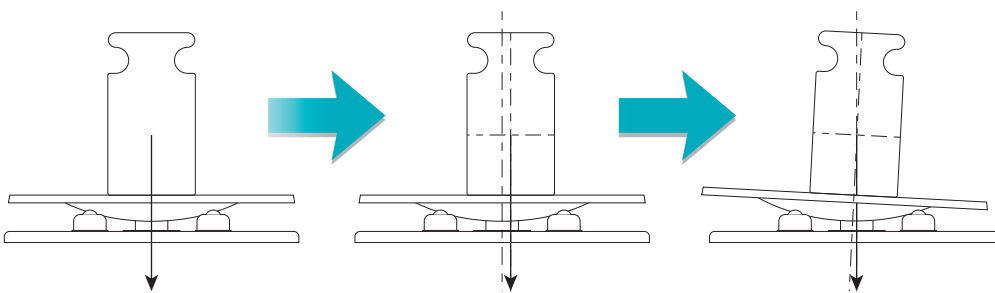
# MASS COMPARATORS

## For management of masses in ASTM Class 2-7 and OIML Class F1 and below

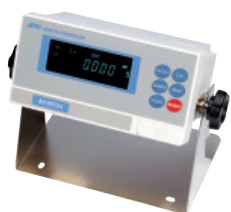
Equipped with an internal mass for simplified calibration of the balance.  
Enhanced function settings reduce errors due to drafts and vibrations.

Model	Applicable mass	0.1g	0.2g	0.5g	1g	2g	5g	10g	20g	50g	100g	200g	500g	1kg	2kg	5kg	10kg	20kg
MC-1000	2																	
	3																	
	4																	
	5																	
	6																	
	7																	
	7																	
MC-6100	2																	
	3																	
	4																	
	5																	
	6																	
	7																	
	7																	
MC-10K	2																	
	3																	
	4																	
	5																	
	6																	
	7																	
	7																	
MC-30K	2																	
	3																	
	4																	
	5																	
	6																	
	7																	
	7																	

**Auto-centering Pan Options:** Improve mass comparison by correcting eccentric loadings.



MC Series  
with optional auto-centering pans



### AD-8922A (Remote Controller)

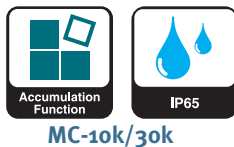
Use the optional AD-8922A to operate the balance without directly touching it, minimizing vibration.



170 Shields Court, Unit 2  
Markham, ON L3R 9T5  
TEL: (905) 475-5880 ext. 226  
FAX: (905) 475-1231

# Precision balances with extended resolution

The MC Series may also be used as high resolution balances. Display weighing results with an extra decimal place not normally found in balances of this capacity. The extended resolution enables measurements of minute weight changes of heavy objects and small variations with heavy tare containers.



## Example Applications

- Precious metal weighing
- Fill ratio of gas cylinders
- Electronic & semiconductor manufacturing
- Moisture content of catalysts
- Pharmaceutical manufacturing
- Precision check-weighing with wider ranges
- Discharge from feeders (loss-in-weight)
- Cutting dust (contaminants) left on mechanical parts
- Particles trapped by particulate filters



170 Shields Court, Unit 2  
Markham, ON L3R 9T5  
TEL: (905) 475-5880 ext. 226  
FAX: (905) 475-1231

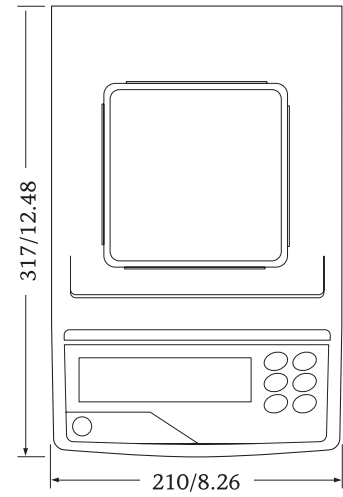
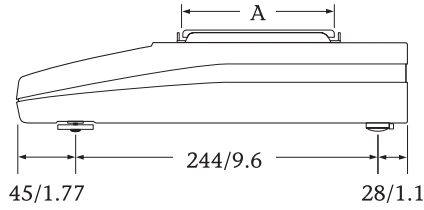
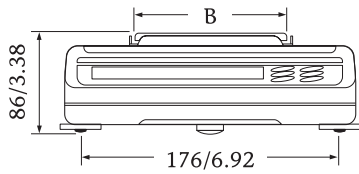
### Standard features for all MC Series models



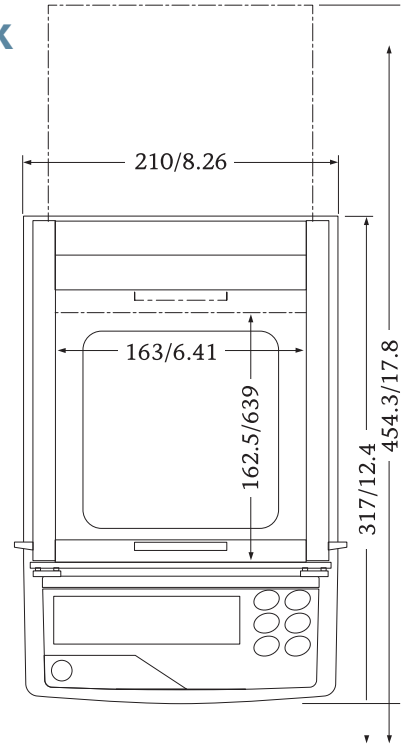
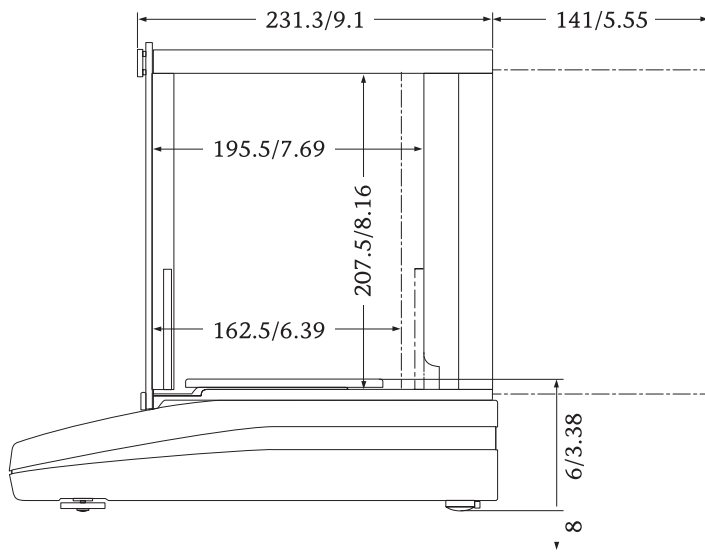
## External Dimensions (mm/inches)

### Pan size

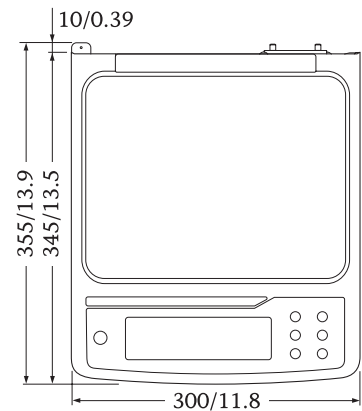
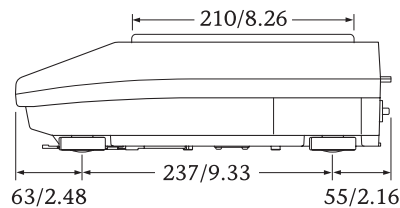
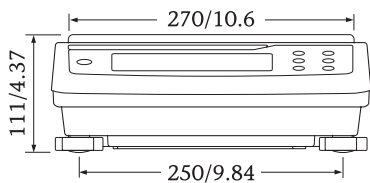
Model	A	B
MC-1000	128 / 5.04	128 / 5.04
MC-6100	165 / 6.49	165 / 6.49



## MC-1000 / 6100 with Glass Breeze Break



## MC-10K / 30K



## Options

### For MC-1000/6100

- GX-02\*2 Unidirectional Quick USB interface with cable
- GX-04\*2 Comparator output with a buzzer / RS-232C / Current loop
- GX-06\*2 Analog voltage output / Current loop
- GX-12 Animal weighing pan
- GX-13 Density determination kit (for MC-1000 only)

\*2 GX-02, GX-04, GX-06, and the standard RS-232C interface cannot be used at the same time. Factory-installed options

### For MC-10K/30K

- GX-04K\*3 Comparator output with a buzzer / RS-232C / Current loop
- GX-06K\*3 Analog voltage output / Current loop
- GX-07K Waterproof RS-232C cable (5 m)
- GX-12 Animal weighing pan
- GX-15 Carrying case

\*3 GX-04K, GX-06K, and the standard RS-232C interface cannot be used at the same time. The MC-10K/30K are not IP65 compliant with these options.

## Mass Comparator Accessories

- AX-MC1000PAN Auto-centering pan (MC-1000)
- AX-MC6100PAN Auto-centering pan (MC-6100)
- AX-MC10K/30KPAN Auto-centering pan (MC-10K/30K)
- AD-8922A Remote controller

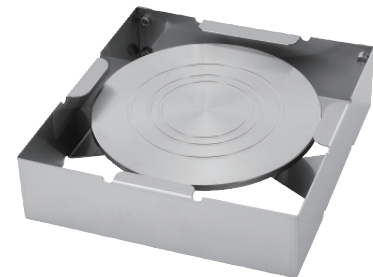
The auto-centering pan and the AD-8922A are purchased separately.

## Accessories

- AD-1682 Rechargeable battery unit
- AD-1683 Static eliminator
- AD-1684 Electrostatic fieldmeter
- AD-1688 Weighing data logger
- AD-1689 Tweezers for calibration weight (Set of 5)
- AD-1192 Compact Printer
- AD-8121B Statistical printer
- SW:128 Foot switch
- KO:WW9/25 RS-232C cable (25P-9P, 2 m)
- AX-USB-2920-25P Serial/USB converter



AD-1683  
Static Eliminator



Auto-centering pan



AD-1688  
Weighing Data Logger

## MC Series Specifications

MODEL	MC-1000	MC-6100	MC-10K	MC-30K
Weighing capacity	1100 g	6100 g	10.1 kg	31 kg
Minimum weighing value	0.0001 g	0.001 g		0.01 g
Repeatability (Standard Deviation)*1	0.0005 g / 1 kg	0.004 g / 5 kg	0.005 g / 10 kg	0.015 g / 20 kg
	0.0004 g / 500 g	0.0015 g / 2 kg	0.004 g / 5 kg	
Linearity	±0.002 g	±0.02 g	±0.03 g	±0.2 g
Sensitivity drift (10 °C to 30 °C)	±2 ppm / °C			±3 ppm / °C
Operating temperature	5 °C to 40 °C (41 °F to 104 °F), 85%RH or less (no condensation)			
Display refresh rate	5 times / second or 10 times / second			
Standard interface	RS-232C			
Weighing pan size	128 x 128 mm	165 x 165 mm	270 x 210 mm	
Power consumption	Approx. 11 VA (supplied by the AC adapter)			
External dimensions	210 (W) x 317 (D) x 86 (H) mm		300 (W) x 355 (D) x 111 (H) mm	
Net weight	Approx. 4.6 kg	Approx. 5.1 kg	Approx. 9.3 kg	
Standard accessories	AC adapter, Instruction manual, Glass breeze break (MC-1000/6100) or Simple breeze break (MC-10K/30K), In-use cover, WinCT (CD-ROM)			

\*1 Repeatability when the auto-centering pan or an automatic loading machine is used under good ambient conditions.

## Minimum Display Values

MODEL	MC-1000	MC-6100	MC-10K	MC-30K
kg			0.000001	0.00001
g	0.0001	0.001		0.01
oz	0.000005	0.00005		0.0005
lb	0.0000005	0.000005		0.00005
lb-oz	0.01		0.001	
Troy oz	0.000005	0.00005		0.0005
carat	0.0005	0.005		0.05
momme	0.00005	0.0005		0.005
dwt	0.0001	0.001		0.01
grain	0.002	0.02		0.2

